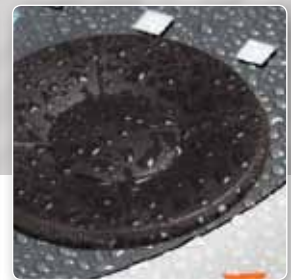
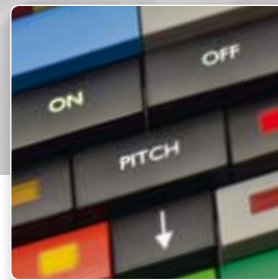
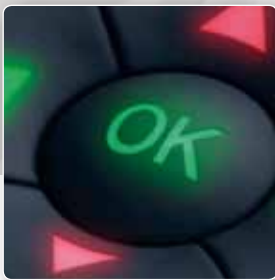


switches



SINCE 1938
DANISH DESIGN
IN-HOUSE R&D AND PRODUCTION
IN-LINE QUALITY CONTROL

Since its foundation in 1938, MEC has been making state-of-the-art electromechanical components.

Located in a suburb of Copenhagen, Denmark, MEC has earned a reputation as one of the leading European manufacturers of high performance tactile switches.

A wealth of know-how has been built up over the years for the benefit of innovative product development and custom solutions.

Despite the trend of outsourcing it has been MEC policy to maintain a high degree of vertical integration that enables us to react promptly to customer requests. 98% of all the parts used in MEC switches are produced in-house.

With 100% in-line inspection, tight tolerance on all parts and use of only quality materials we position ourselves to reach the highest achievable level within high performance tactile switches.

The vertical integration combined with a strong R&D facility enables us to provide custom designs from conception to completion.

To be part of a sustainable industrialised world environmental consciousness is crucial. At MEC we have substituted materials to more environmental-friendly alternatives and are recycling as much as possible. Legal authorities are auditing our environmental management system regularly and confirming that our goal is being reached. All MEC products are RoHS compatible.

MEC have a well established global distribution network that provides a presence in all parts of the world where electronic manufacturing takes place. Through close contact and continuous product training offered to our distributors we maintain a highly qualified and responsive global distribution network.



Table of content

Selection guide for caps and accessories.	4
---	---

multimec® caps

■ Introduction to Caps	5
■ Introduction to Illumination	6
■ Introduction to Panel Sealed and Foil solutions	7
■ 1A/1H/1M/1ZA	8
■ 1B/1C+2C/2D	9
■ 1DS/1ES/1FS	10
■ 1GAS/1GCS	11
■ 1JS	12
■ 1KS/1KBS/1KCS	13
■ 1NS	14
■ 1PS/1QS/1RS	15
■ 1SS/1IS/1LS	16
■ 1TS/1US/1VS + +1TW/1UW/1VW	17
■ 1WAS/1WDS/1WPS	18
■ 1XS	19
■ foilmec™ 1YS	20
■ navimec™ 1ZCS/1ZB	21
■ navimec™ module	22
■ controlmec™ 1ZW	23
■ controlmec™ 1Z	24
■ controlmec™ module	25
■ 10R/10RF/10RM	26
■ 10Q/10QM	27
■ varimec™	30
■ aquamec™	32
■ Extender 2SS	33
■ Legends	34

Selection guide for switches.	36
---------------------------------------	----

multimec® switches

■ Introduction to Switches	37
■ 5 series switches	38
■ 3C/3E series switches	40
Technical information	41
Technical Information - spacing	42
Technical Information - module	43
Technical Specifications - 5 series.	44
Technical Specifications - 3 series.	45
Technical Specifications - LEDs	46

unimec™ caps and switches

■ Introduction to unimec™	47
■ 16324-16326	48
■ 16310-16315	49
■ 16300/16700/16800.	50
■ Legends	51
■ unimec™ switches.	52
vario™ support	53
unimec™ with multimec® caps	54
Technical Specifications.	55

Custom

■ Custom products	56
■ Custom products	57

General

Applications	28
Solid Colours	58
Usage Guidelines	59

Caps and accessories series

Selection guide

	NON-ILLUMINATED	NON-ILLUMINATED & ILLUMINATED			ILLUMINATED
ROUND	1SS Ø6.5mm h=8.0 - 22.5mm *for 5E 	1JS Ø9.6mm h=10.4mm 	1DS Ø9.6mm h=14.9mm 	1GAS Ø11mm h=12.5mm 	1IS Ø6.5mm h=10.4 - 22.5mm 
	varimec™ round Ø5.2; 7.8; 11.6mm h=10.4-22.5mm *for 3E 	1US Ø10.6mm h=14.9mm 	1ZCS Ø14.3mm h=11.7mm 	1GCS Ø15mm h=12.5mm 	1LS Ø6.5mm h=12.0mm-22.5mm 
		1Z Ø29.5mm h=12.0mm 	1ZW Ø29.5mm h=12.3mm 	aquamec Ø10.6mm h from front panel=14.3mm h=24.2-27.2mm 	1ES Ø9.6mm h=14.9mm 
		10R/10RF Ø30mm h=11.0mm 	10RM16 Ø30mm h=11.0mm 	navimec Ø34.25mm h=11.7/12.2mm 	1FS Ø9.6mm h=14.9mm 
SQUARE/RECTANGULAR	1ZA 18.65x10.1mm h=12.2mm 	1PS 12.5x6.5mm h=15.7mm 	1XS 7.4x9.4mm h=18.5mm 	1QS 12.5x6.5mm h=15.7mm 	1RS 12.5x6.5mm h=15.7mm 
	1M 25.0x10.1mm h=12.2mm 	1A 12.5x10.1mm h=12.2mm 	1TS 10.6x10.6mm h=14.9mm 	1H 12.5x10.1mm h=12.2mm 	1C + 2C/2D 15.1x15.1mm h=12.2mm 
	varimec™ square 5.2x5.2; 7.8x7.8; 11.6x11.6mm h=10.4-22.5mm *for 3E 	1B + 2C/2D 15.1x15.1mm h=12.2mm 	1KS 14.3x14.3mm h=19.1mm 	2K 17.75x17.75mm 	1KBS 14.3x14.3mm h=20.2mm 
	unimec™ 16300 7.0x12.6mm h=16.9mm 	10Q 22x22mm h=11.0mm 	10QM16 22x22mm h=11.0mm 		1KCS 14.3x14.3mm h=20.1mm 
	unimec™ 16700 14.9x14.9mm h=14.6mm 				1YS 15x15mm h=12.5mm *for 5E 
OTHER	2SS extender for 5G snap on caps h=5-10mm 	1NS Ø9.6/□4.9mm h=14.9mm 	1VS 10.6x13.25mm h=14.9mm 	1ZB 90° R=17.5mm h=12.2mm 	
	1TW/1UW/1VW sealing for 1TS/1US/1VS 	1WAS 6.5x12.5mm h=14.9mm 	1WDS 8.0x15.2mm h=14.9mm 	1WPS 6.5x12.5mm h=15.7mm 	

*Caps are for 5G if not otherwise specified

CAPS

MANY OPTIONS REGARDING:

SHAPE, SIZE, HEIGHT, COLOUR AND ILLUMINATION

SOLUTIONS:

NAVIMEC™, CONTROLMEC™, FOILMEC™, VARIMEC™, AQUAMEC™



MEC has a wide range of caps for the multimec® switch series. There are many cap series including navimec™, controlmec™ foilmec™ and aquamec™ for multimec® 5 series switches, and varimec™ that is still for the 3 series switches.

18 solid colours and 6 transparent colours

Overall height varies from 8.0 mm to 27.2 mm



ILLUMINATION

SINGLE- OR BI-COLOUR

MANY OPTIONS IN LED, CAP AND LENS COLOUR



5 LED colour options available: blue, green, yellow, white and red.

Bi-colour combination can be made with any two LED colours.

Illumination can be full, dot, rectangular or legend.



MEC cap range includes options for the front panel sealing. We have designed cap options for outdoor, dusty and humid applications - switch solutions that can endure a rough environment.



PANEL SEALED SOLUTIONS



CONTROLMEC™ 1ZW

PANEL SEALED 1TS/1US/1VS

PANEL SEALED 10R & 10Q SERIES

AQUAMEC™

CAPS FOR FOIL OVERLAY



FOILMEC™ + 1GAS/1GCS + 1JS

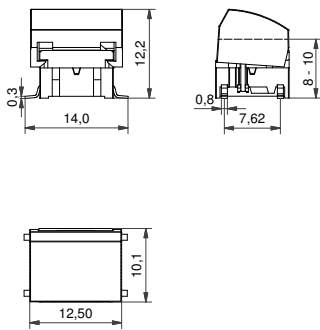


- Rectangular caps
- Rocker-action pushbutton cap
- 12.5 mm x 10.1 mm; 18.65 mm x 10.1 mm; 25.0 mm x 10.1 mm
- h = 12.2 mm
- Material: ABS/polycarbonate
- Temp. Range:
 - Solid cap: -40/+65°C
 - Transparent cap: -40/+85°C
- Panel cut-out: 1A/1H-13.0 x 10.5, 1M-25.7 x 10.5, 1ZA-19.4x10.5

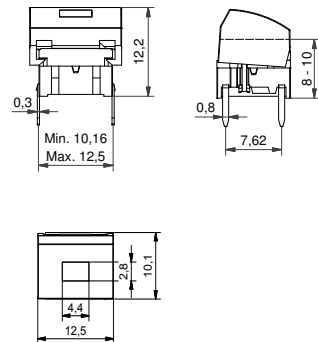
All dimensions in mm

DIMENSIONS

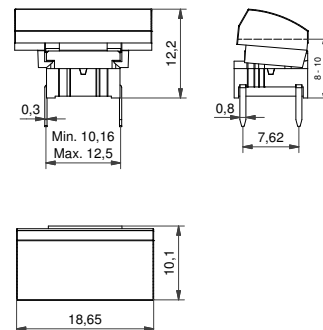
SMD w/LED + 1A



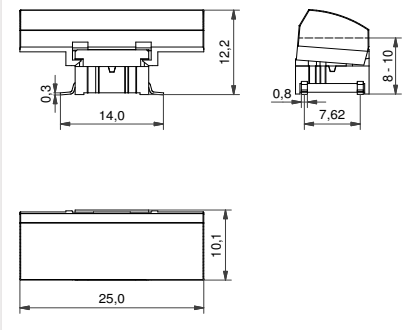
TH w/LED + 1H



TH + 1ZA



SMD + 1M



ILLUMINATED – HOW TO ORDER

Switch	Mounting	Actuation force	LED	+	Cap	Colour code 1H	Lens 1H
5 G	<input type="checkbox"/> <input type="checkbox"/> <input type="checkbox"/>	<input type="checkbox"/> <input type="checkbox"/>	<input type="checkbox"/> <input type="checkbox"/> <input type="checkbox"/> <input type="checkbox"/>		<input type="checkbox"/> <input type="checkbox"/>	<input type="checkbox"/> <input type="checkbox"/>	<input type="checkbox"/>
	TH9 through-hole SH9 surface mount	20 35 65 Q*	01 blue 22 green 42 yellow 61 white 82 red 2242 green/yellow 8222 red/green 8242 red/yellow		1H 1A 	00 blue 06 white 02 green 08 red 03 grey 09 black 04 yellow Colour code 1A 10 frosted blue 12 frosted green 14 frosted yellow 16 frosted white 18 frosted red	1 transparent 2 green 4 yellow 6 frosted white 8 red

*For an illuminated quiet 2.0N switch add Q to the end of the switch part number.

NON-ILLUMINATED – HOW TO ORDER

Switch	Mounting	Actuation force	+	Cap	Colour code	
5 G	<input type="checkbox"/> <input type="checkbox"/> <input type="checkbox"/>	<input type="checkbox"/> <input type="checkbox"/>		<input type="checkbox"/> <input type="checkbox"/> <input type="checkbox"/>	<input type="checkbox"/> <input type="checkbox"/>	
	TH9 through-hole SH9 surface mount	20 20Q 35 65		1A 1ZA 1M 	00 blue 02 green 03 grey 04 yellow 06 white 08 red 09 black	Colours for 1A and * colours for 1ZA: 30* ultra blue 50* metal dark blue 40* dusty blue 53* metal light grey 42* aqua blue 57* metal dark grey 32 mint green 58* metal bordeaux 33 tele grey 34 melon 38 noble red

Ordering example:

5GSH93582 + 1H068 with illumination OR 5GTH965 + 1ZA57 without illumination OR *5GTH92001Q (illuminated quiet version).

Please see colour codes, updates of products and changes of specifications on www.mec.dk

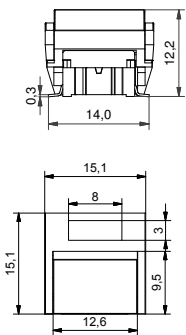
- Rectangular caps; square solution
- Rocker-action pushbutton cap
- 15.1 mm x 15.1 mm
- h = 12.2 mm
- Material: ABS/polycarbonate
- Temp. Range:
 - Solid cap and bezel: -40/+65°C
 - Transparent cap: -40/+85°C
- Panel cut-out: 1B/1C+2C/2D-15.5 x 15.5



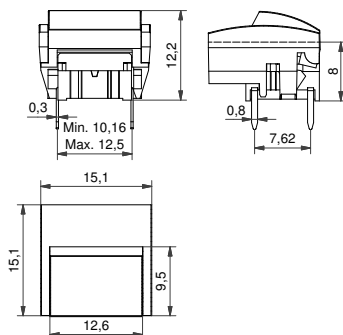
All dimensions in mm

DIMENSIONS

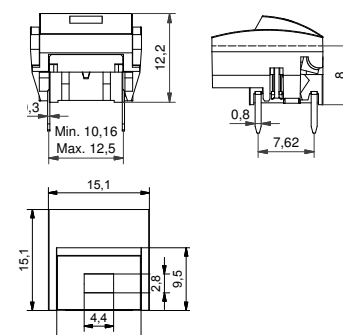
SMD 1B+2D



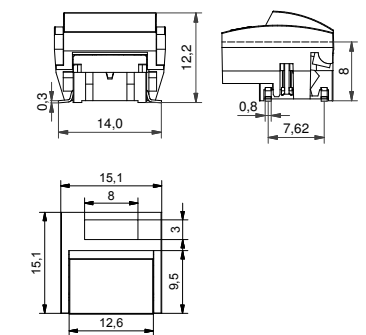
TH 1B+2C



TH w/LED 1C+2C



SMD w/LED 1B+2D



ILLUMINATED – HOW TO ORDER

Switch	Mounting	Actuation force	LED	Cap	Bezel
5 G	<input type="checkbox"/> <input type="checkbox"/> <input type="checkbox"/>	<input type="checkbox"/> <input type="checkbox"/>	<input type="checkbox"/> <input type="checkbox"/> <input type="checkbox"/> <input type="checkbox"/>	1 C <input type="checkbox"/> <input type="checkbox"/> <input type="checkbox"/> <input type="checkbox"/>	2 C <input type="checkbox"/> <input type="checkbox"/>
	TH9 through-hole	20	01 blue	Solid colour	Colour code
	SH9 surface mount	35	22 green		Colour code
		65	42 yellow	1 B <input type="checkbox"/> <input type="checkbox"/>	2 D <input type="checkbox"/> <input type="checkbox"/>
		Q*	61 white	Transparent	Colour code
			82 red		Lens
			2242 green/yellow		
			8222 red/green		
			8242 red/yellow		

*For an illuminated quiet 2.0N switch add Q to the end of the switch part number.

NON-ILLUMINATED – HOW TO ORDER

Switch	Mounting	Actuation force	Cap	Bezel
5 G	<input type="checkbox"/> <input type="checkbox"/> <input type="checkbox"/>	<input type="checkbox"/> <input type="checkbox"/> <input type="checkbox"/> <input type="checkbox"/>	1 B <input type="checkbox"/> <input type="checkbox"/>	2 C <input type="checkbox"/> <input type="checkbox"/>
	TH9 through-hole	20	Solid colour	Colour code
	SH9 surface mount	20Q	Colour code	Colour code
		35		2 D <input type="checkbox"/> <input type="checkbox"/>
		65		Colour code

COLOUR CODES

Transparent caps	Solid caps	For 1B and 2C only	Lenses
10 frosted blue	00 blue	30 ultra blue	1 transparent
12 frosted green	02 green	40 dusty blue	2 green
14 frosted yellow	03 grey	42 aqua blue	4 yellow
	04 yellow	32 mint green	6 frosted white
	06 white	33 tele grey	8 red
	08 red	34 melon	
	09 black	38 noble red	
		50 metal dark blue	
		53 metal light grey	
		57 metal dark grey	
		58 metal bordeaux	

Ordering example:

5GTH93561+1C001+2C09 with illumination OR 5GSH965+1B08+2D081 without illumination OR *5GSH92001Q (illuminated quiet version)

Please see colour codes, updates of products and changes of specifications on www.mec.dk

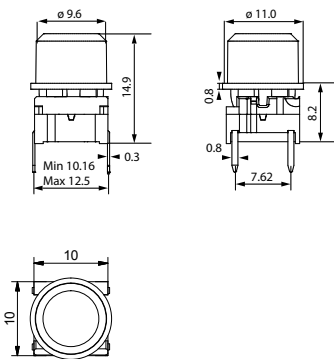


- Round caps
- Ø9.6 mm
- h =14.9 mm
- Material: ABS/polycarbonate
- Temp. Range:
 - Solid cap: -40/+65°C
 - Transparent cap :-40/+85°C
- Panel cut-out: 1DS/1ES/1FS-Ø10.0

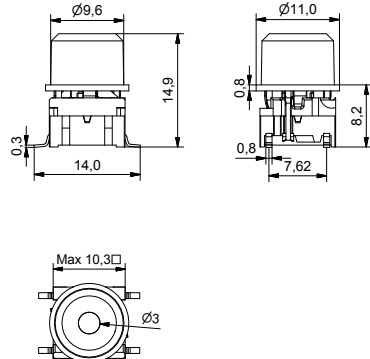
All dimensions in mm

DIMENSIONS

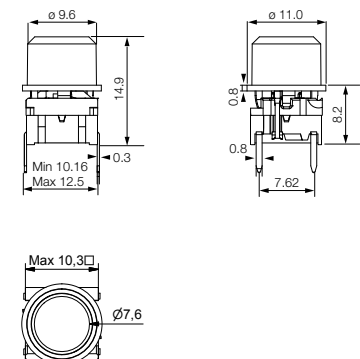
TH + 1DS



SMD w/LED + 1ES



TH w/LED + 1FS



ILLUMINATED – HOW TO ORDER

Switch	Mounting	Actuation force	LED	+	Cap	Colour code	Lens
5 G	<input type="checkbox"/> <input type="checkbox"/> <input type="checkbox"/>	<input type="checkbox"/> <input type="checkbox"/>	<input type="checkbox"/> <input type="checkbox"/> <input type="checkbox"/>		<input type="checkbox"/> <input type="checkbox"/> <input type="checkbox"/>	<input type="checkbox"/> <input type="checkbox"/>	<input type="checkbox"/>
	TH9 through-hole SH9 surface mount	20 35 65 Q*	01 blue 22 green 42 yellow 61 white 82 red 2242 green/yellow 8222 red/green 8242 red/yellow		1ES 1FS 	00 blue 02 green 03 grey 04 yellow 06 white 08 red 09 black	1 transparent 2 green 4 yellow 6 frosted white 8 red
					1DS 	11 transparent 16 frosted white	

*For an illuminated quiet 2.0N switch add Q to the end of the switch part number.

NON-ILLUMINATED – HOW TO ORDER

Switch	Mounting	Actuation force	+	Cap	Colour code		
5 G	<input type="checkbox"/> <input type="checkbox"/> <input type="checkbox"/>	<input type="checkbox"/> <input type="checkbox"/> <input type="checkbox"/>		<input type="checkbox"/> <input type="checkbox"/> <input type="checkbox"/>	<input type="checkbox"/> <input type="checkbox"/>		
	TH9 through-hole SH9 surface mount	20 20Q 35 65		1DS 	00 blue 02 green 03 grey 04 yellow 06 white 08 red 09 black	30 ultra blue 40 dusty blue 42 aqua blue 32 mint green 33 tele grey 34 melon 38 noble red	50 metal dark blue 53 metal light grey 57 metal dark grey 58 metal bordeaux

Ordering example:

5GTH935+1DS06 without illumination OR 5GSH96561+1FS096R13509 with illumination OR *5GSH92042Q (illuminated quiet version)

Please see colour codes, updates of products and changes of specifications on www.mec.dk

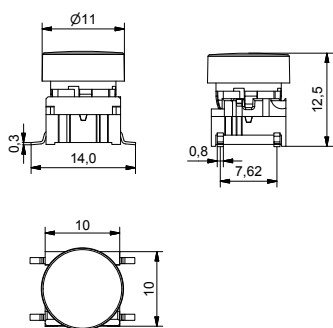
- Round caps
- Excellent option for foil overlay
- Ø11 mm; Ø15 mm
- h = 12.5 mm
- Material: polyamide
- Temp. Range:
 - Solid cap: -40/+160°C
 - Transparent cap: -40/+85°C
- Panel cut-out: 1GAS/1GCS-Ø11.4; Ø15.4

All dimensions in mm

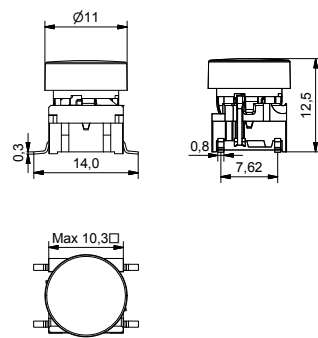


DIMENSIONS

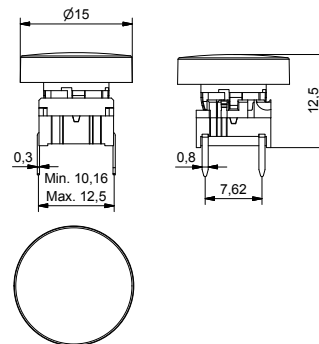
SMD + 1GAS



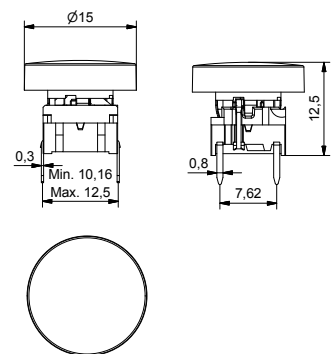
SMD w/LED + 1GAS



TH + 1GCS



TH w/LED + 1GCS



ILLUMINATED – HOW TO ORDER

Switch	Mounting	Actuation force	LED	+	Cap transparent colour	Colour code
5 G	TH9 through-hole SH9 surface mount	20 35 65 Q*	01 blue 22 green 42 yellow 61 white 82 red 2242 green/yellow 8222 red/green 8242 red/yellow		1GAS 1GCS	11 transparent 16 frosted white

*For an illuminated quiet 2.0N switch add Q to the end of the switch part number.

NON-ILLUMINATED – HOW TO ORDER

Switch	Mounting	Actuation force	+	Cap solid colour	Colour code
5 G	TH9 through-hole SH9 surface mount	20 20Q 35 65		1GAS 1GCS	00 blue 02 green 03 grey 04 yellow 06 white 08 red 09 black

Ordering example:
5GSH935 + 1GAS09 without illumination OR 5GTH96501 + 1GCS16 with illumination OR *5GTH92061Q (illuminated quiet version)
Please see colour codes, updates of products and changes of specifications on www.mec.dk

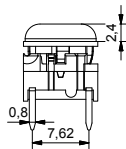
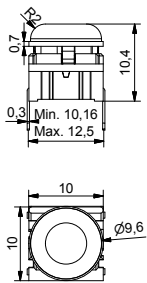


- Round cap
- Ø9.6 mm
- h =10.4 mm
- Material: ABS/polycarbonate
- Temp. Range:
 - Solid cap: -40/+65°C
 - Transparent cap: -40/+85°C
- Panel cut-out: 1JS-Ø10.4

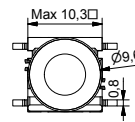
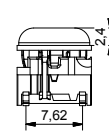
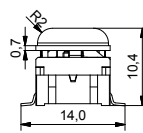
**Legends on the picture are custom
All dimensions in mm*

DIMENSIONS

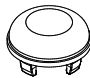
TH + 1JS



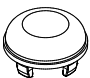
SMD w/LED + 1JS



ILLUMINATED – HOW TO ORDER

Switch	Mounting	Actuation force	LED	+	Cap transparent	Colour code
5 G	<input type="checkbox"/> <input type="checkbox"/> <input type="checkbox"/>	<input type="checkbox"/> <input type="checkbox"/>	<input type="checkbox"/> <input type="checkbox"/> <input type="checkbox"/> <input type="checkbox"/>	+	1 J S	<input type="checkbox"/> <input type="checkbox"/>
	TH9 through-hole SH9 surface mount	20 35 65 Q*	01 blue 22 green 42 yellow 61 white 82 red 2242 green/yellow 8222 red/green 8242 red/yellow			11 transparent 16 frosted white

NON-ILLUMINATED – HOW TO ORDER

Switch	Mounting	Actuation force	+	Cap solid colour	Colour code
5 G	<input type="checkbox"/> <input type="checkbox"/> <input type="checkbox"/>	<input type="checkbox"/> <input type="checkbox"/> <input type="checkbox"/>	+	1 J S	<input type="checkbox"/> <input type="checkbox"/>
	TH9 through-hole SH9 surface mount	20 20Q 35 65			00 blue 02 green 03 grey 04 yellow 06 white 08 red 09 black

Ordering example:
5GTH935+1JS08 without illumination OR 5GTH93501+1JS16 with illumination OR *5GTH92001Q (illuminated quiet version)
Please see colour codes, updates of products and changes of specifications on www.mec.dk

- Square caps
- Different top surfaces: flat, convex or concave
- 14.3 mm x 14.3 mm
- h = 19.1 mm; 20.2 mm; 20.1 mm
- Material: ABS/polycarbonate
- Temp. Range:
 - Solid cap: -40/+65°C
 - Transparent cap: -40/+85°C
- Panel cut-out: 1KS/1KBS/1KCS-14.7 x 14.7

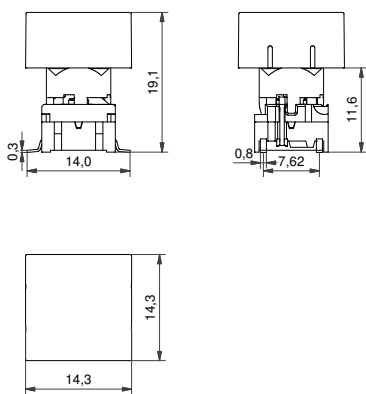
All dimensions in mm



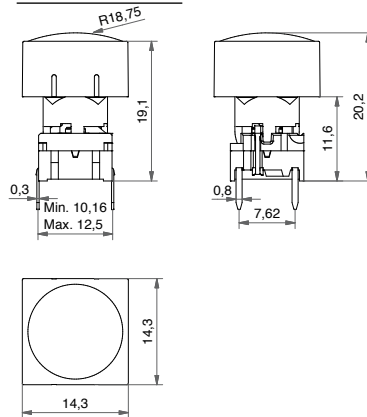
Custom solution

DIMENSIONS

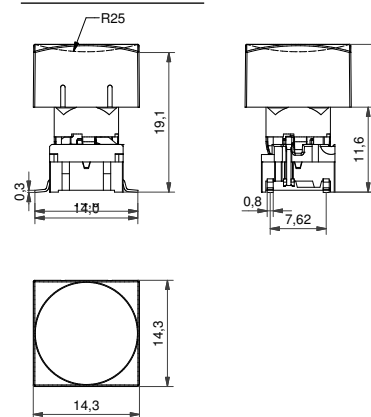
SMD w/LED + 1KS



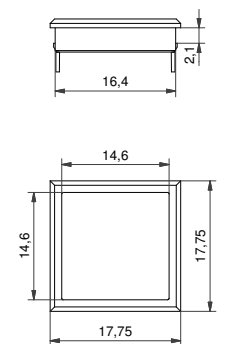
TH w/LED + 1KBS



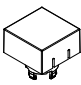
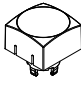
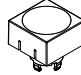
SMD w/LED + 1KCS



Bezel (optional)

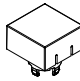


ILLUMINATED – HOW TO ORDER

Switch	Mounting	Actuation force	LED	+	Cap	+	Bezel
5 G	TH9 through-hole SH9 surface mount	20 35 65 Q*	01 blue 22 green 42 yellow 61 white 82 red 2242 green/yellow 8222 red/green 8242 red/yellow	+	1 1 1 6 Frosted white lens and transparent lid	+	2 K 03 grey 06 white 08 red 09 black
					1KS  1KCS 		
					1KBS 		

*For an illuminated quiet 2.0N switch add Q to the end of the switch part number.

NON-ILLUMINATED – HOW TO ORDER

Switch	Mounting	Actuation force	+	Cap	+	Bezel
5 G	TH9 through-hole SH9 surface mount	20 20Q 35 65	+	1 K S 1 6 Frosted white lens	+	2 K 03 grey 06 white 08 red 09 black
				1KS 		

Ordering example:

5GTH93501+1KCS1116+2K09 with illumination OR 5GSH965+1KS0916+2K03 without illumination OR *5GTH92082Q (illuminated quiet version)

Please see colour codes, updates of products and changes of specifications on www.mec.dk

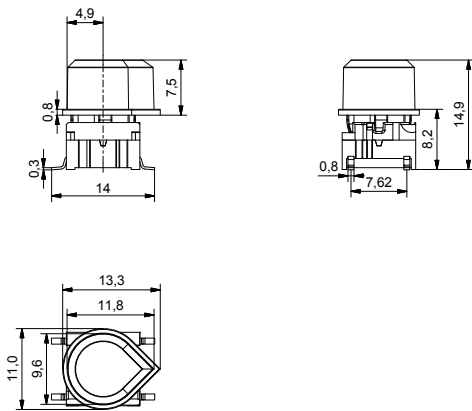


- Teardrop-shaped cap
- Ø9.6 mm; □ = 4.9 mm
- h = 14.9 mm
- Material: ABS/polycarbonate
- Temp. Range:
 - Solid cap: -40/+65°C
 - Transparent cap: -40/+85°C
- Panel cut-out: 1NS-Ø10.2/ □ = 5.1

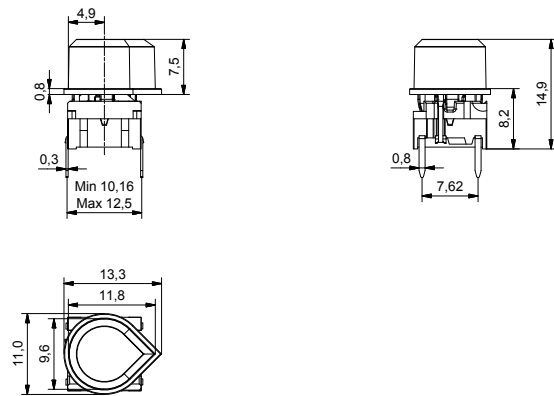
All dimensions in mm

DIMENSIONS


SMD + 1NS



TH w/LED + 1NS




ILLUMINATED – HOW TO ORDER

Switch	Mounting	Actuation force	LED	+	Cap transparent	Colour code
5 G	<input type="checkbox"/> <input type="checkbox"/> <input type="checkbox"/>	<input type="checkbox"/> <input type="checkbox"/> <input type="checkbox"/>	<input type="checkbox"/> <input type="checkbox"/> <input type="checkbox"/> <input type="checkbox"/>		1 N S	<input type="checkbox"/> <input type="checkbox"/>
	TH9 through-hole SH9 surface mount	20 35 65 Q*	01 blue 22 green 42 yellow 61 white 82 red 2242 green/yellow 8222 red/green 8242 red/yellow			10 frosted blue 12 frosted green 14 frosted yellow 16 frosted white 18 frosted red

*For an illuminated quiet 2.0N switch add Q to the end of the switch part number.

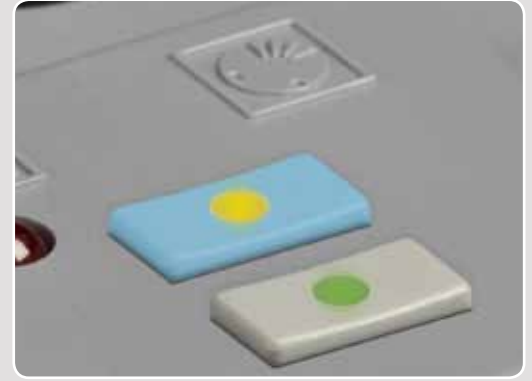
NON-ILLUMINATED – HOW TO ORDER

Switch	Mounting	Actuation force	+	Cap	Colour code
5 G	<input type="checkbox"/> <input type="checkbox"/> <input type="checkbox"/>	<input type="checkbox"/> <input type="checkbox"/> <input type="checkbox"/>		1 N S	<input type="checkbox"/> <input type="checkbox"/>
	TH9 through-hole SH9 surface mount	20 20Q 35 65			00 blue 06 white 02 green 08 red 03 grey 09 black 04 yellow

Ordering example:
5GSH965+1NS08 non-illuminated OR 5GTH93501+1NS10 with illumination OR *5GTH92081Q (illuminated quiet version)
Please see colour codes, updates of products and changes of specifications on www.mec.dk

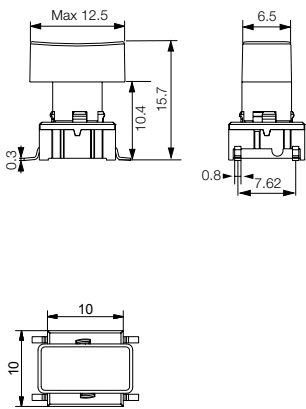
- Rectangular caps
- Concave top surface
- 12.5 mm x 6.5 mm
- h = 15.7 mm
- Material: ABS/polycarbonate
- Temp. Range:
 - Solid cap: -40/+65°C
 - Transparent cap: -40/+85°C
- Panel cut-out: 1PS/1QS/1RS-7.0 x 13.0, R max. 1.0

All dimensions in mm

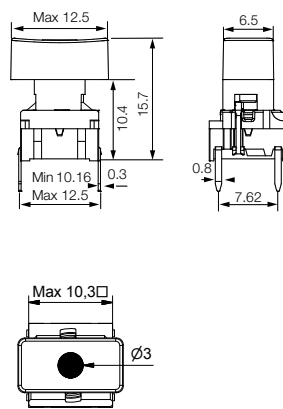


DIMENSIONS

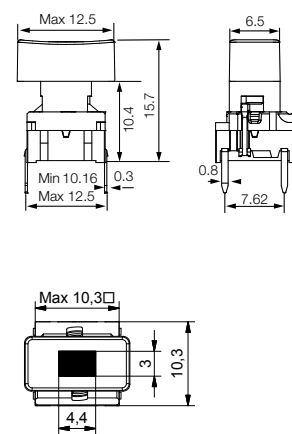
SMD (5E) + 1PS



TH w/LED (5G) + 1RS



TH w/LED (5G) + 1QS



ILLUMINATED – HOW TO ORDER

Switch	Mounting	Actuation force	LED	+	Cap	Colour code	Lens
5 G	<input type="checkbox"/> <input type="checkbox"/> <input type="checkbox"/>	<input type="checkbox"/> <input type="checkbox"/>	<input type="checkbox"/> <input type="checkbox"/> <input type="checkbox"/> <input type="checkbox"/>		<input type="checkbox"/> <input type="checkbox"/> <input type="checkbox"/>	<input type="checkbox"/> <input type="checkbox"/>	<input type="checkbox"/>
	TH9 through-hole	20	01 blue		1QS	00 blue	1 transparent
	SH9 surface mount	35	22 green			02 green	6 frosted white
		65	42 yellow			03 grey	
		Q*	61 white			04 yellow	
			82 red			06 white	
			2242 green/yellow			08 red	
			8222 red/green			09 black	
			8242 red/yellow				
					1PS	11 transparent	
						16 frosted white	

*For an illuminated quiet 2.0N switch add Q to the end of the switch part number.

NON-ILLUMINATED – HOW TO ORDER

Switch	Mounting	Actuation force	Cap	Colour code
5 E	<input type="checkbox"/> <input type="checkbox"/> <input type="checkbox"/>	<input type="checkbox"/> <input type="checkbox"/> <input type="checkbox"/>	<input type="checkbox"/> <input type="checkbox"/> <input type="checkbox"/>	<input type="checkbox"/> <input type="checkbox"/>
5 G	TH9 through-hole	20	1PS	00 blue 06 white
	SH9 surface mount	20Q		02 green 08 red
		35		03 grey 09 black
		65		04 yellow

Ordering example:

5GTH935+1PS08 without illumination OR 5GSH96542+1RS001 with illumination OR *5GSH92061Q (illuminated quiet version)

Please see colour codes, updates of products and changes of specifications on www.mec.dk

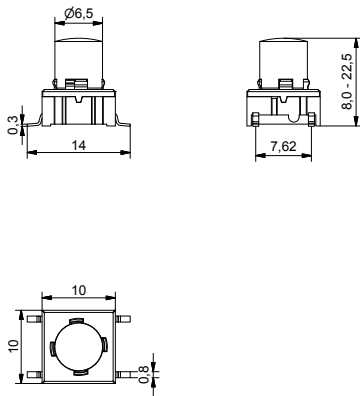


- Round caps
- 9 standard options in overall height
- Ø6.5 mm
- h = 8-22.5 mm; 10.4-22.5 mm; 12-22.5 mm
- Material: polyamide
- Temp. Range:
 - Solid cap: -40/+160°C (1SS); -40/+65°C (1LS)
 - Transparent cap: -40/+85°C
- Panel cut-out: 1SS/1LS/1IS-Ø7.0

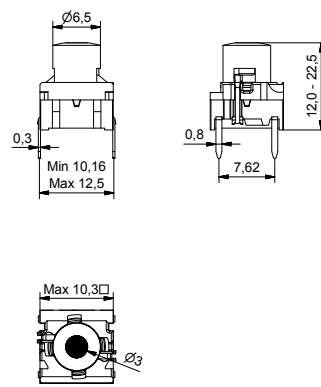
All dimensions in mm

DIMENSIONS

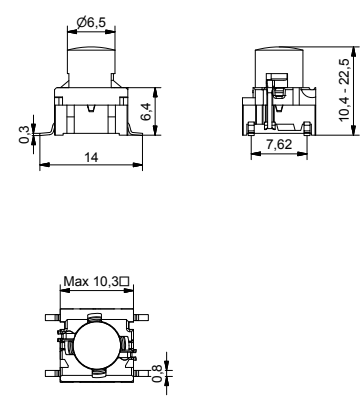
SMD (5E) + 1SS



TH w/LED (5G) + 1LS



SMD w/LED (5G) + 1IS



ILLUMINATED – HOW TO ORDER

Switch	Mounting	Actuation force	LED	+	Cap	Colour code	Lens	Height 1LS
5 G	TH9 through-hole SH9 surface mount	20 35 65 Q*	01 blue 22 green 42 yellow 61 white 82 red 2242 green/yellow 8222 red/green 8242 red/yellow		1LS with lens 1IS fully illuminated	00 blue 02 green 03 grey 04 yellow 06 white 08 red 09 black 11 transparent 16 frosted white	1 transparent 2 green 4 yellow 6 frosted white 8 red	12.0 19.0 15.0 22.5 16.0 Height 1IS 10.4 16.0 11.0 19.0 12.0 22.5 15.0

*For an illuminated quiet 2.0N switch add Q to the end of the switch part number.

NON-ILLUMINATED – HOW TO ORDER

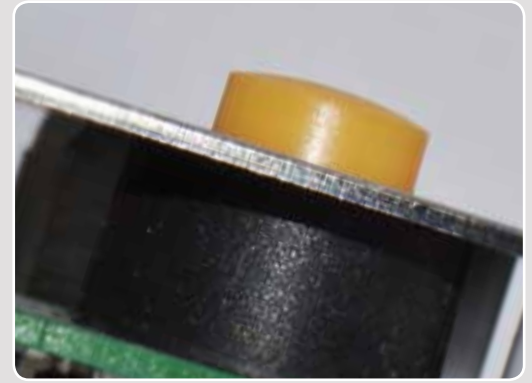
Switch	Mounting	Actuation force	+	Cap	Colour code	Height
5 E						
5 G	TH9 through-hole SH9 surface mount	20 20Q 35 65		1SS solid colour	00 blue 02 green 03 grey 04 yellow 06 white 08 red 09 black	08.0 16.0 09.5 19.0 10.4 22.5 11.0 12.0 15.0

Ordering example:

5ETH920+1SS04-09.5 without illumination OR 5GSH93542+1IS16-19.0 with illumination OR *5GTH9208222Q (illuminated quiet version)

Please see colour codes, updates of products and changes of specifications on www.mec.dk

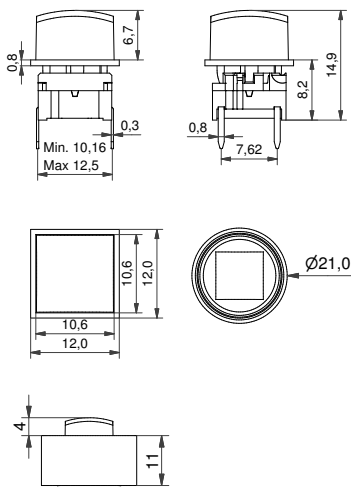
- Square, round and half-ellipse shaped caps
- Rounded top surface
- Option to have it panel sealed
 - IP67 = 5G+1TS+1TW
 - IP67 = 5G+1US+1UW
 - IP65 = 5G+1VS+1VW
- 10.6 mm x 10.6 mm; Ø10.6 mm; 10.6 mm x 13.25 mm
- h =14.9 mm
- Material: ABS/polycarbonate (cap); silicone rubber (sealing)
- Temp. Range:
 - Solid cap: -40/+65°C
 - Transparent cap: -40/+85°C
 - Panel cut-out: 1TS-11.0 x 11.0, 1US-Ø11.0, 1VS-11.0 x 13.65



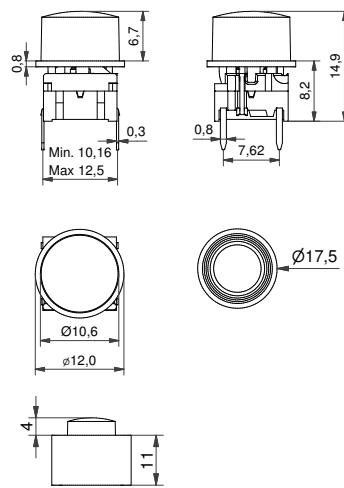
All dimensions in mm

DIMENSIONS

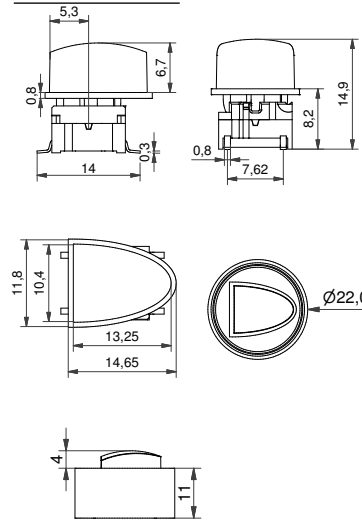
TH + 1TS+1TW



TH w/LED + 1US+1UW



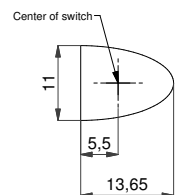
SMD + 1VS+1VW



PANEL CUT-OUT

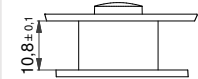
Recommended

1TS - 11x11 mm
1US - Ø11 mm
1VS



*mathematical shape of half-ellipse

Distance between PCB and front panel



ILLUMINATED - HOW TO ORDER

Switch	Mounting	Actuation force	LED	+	Cap	Colour code	+	Sealing
5 G	TH9 through-hole SH9 surface mount	20 35 65 Q*	01 blue 22 green 42 yellow 61 white 82 red 2242 green/yellow 8222 red/green 8242 red/yellow		1TS 1US	16 frosted white		1TW 1UW 1VW

*For an illuminated quiet 2.0N switch add Q to the end of the switch part number.

NON-ILLUMINATED- HOW TO ORDER

Switch	Mounting	Actuation force	+	Cap	Colour code	+	Sealing
5 G	TH9 through-hole SH9 surface mount	20 20Q 35 65		1TS 1US	00 blue 02 green 03 grey 04 yellow 06 white 08 red 09 black		1TW 1UW 1VW

Ordering example:

5GSH935 + 1TS03 + 1TW without illumination OR 5GTH96542 + 1US16 + 1UW with illumination OR *5GTH92082Q (illuminated quiet version)

Please see colour codes, updates of products and changes of specifications on www.mec.dk

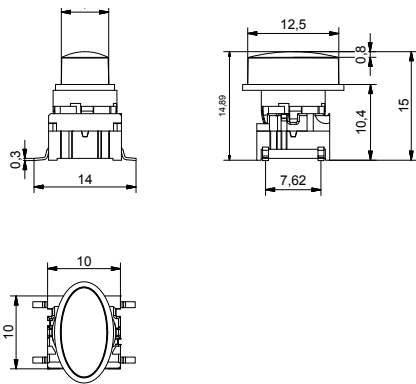


- Ellipse-shaped caps
- Convex or concave top surface
- 6.5 mm x 12.5 mm; 8.0 mm x 15.2 mm
- h = 15.7 mm
- Material: ABS/polycarbonate
- Temp. Range:
 - Solid cap: -40/+65°C
 - Transparent cap: -40/+85°C
- Panel cut-out: 1WAS/1WPS-12.9x6.9, 1WDS-15.6x8.4

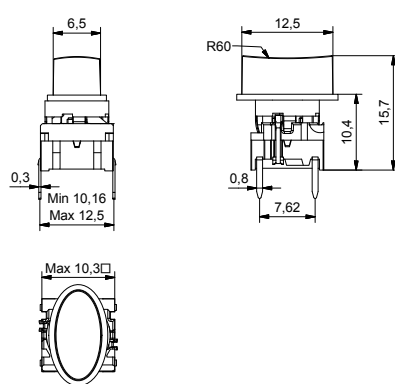
All dimensions in mm

DIMENSIONS

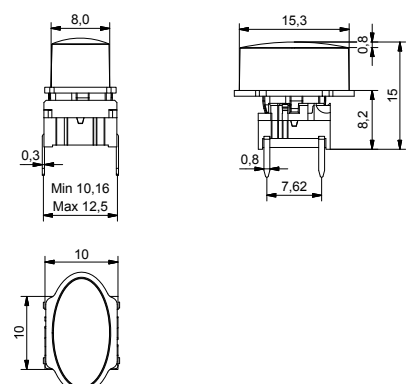
SMD + 1WAS



TH w/LED + 1WPS



TH + 1WDS



ILLUMINATED - HOW TO ORDER

Switch	Mounting	Actuation force	LED	+	Cap	Colour code
5 G	<input type="checkbox"/> <input type="checkbox"/> <input type="checkbox"/>	<input type="checkbox"/> <input type="checkbox"/>	<input type="checkbox"/> <input type="checkbox"/> <input type="checkbox"/> <input type="checkbox"/>		<input type="checkbox"/> <input type="checkbox"/> <input type="checkbox"/> <input type="checkbox"/>	<input type="checkbox"/> <input type="checkbox"/>
	TH9 through-hole SH9 surface mount	20 35 65 Q*	01 blue 22 green 42 yellow 61 white 82 red 2242 green/yellow 8222 red/green 8242 red/yellow		1WAS 1WPS 1WDS	16 frosted white

*For an illuminated quiet 2.0N switch add Q to the end of the switch part number.

NON-ILLUMINATED - HOW TO ORDER

Switch	Mounting	Actuation force	+	Cap	Colour code
5 G	<input type="checkbox"/> <input type="checkbox"/> <input type="checkbox"/>	<input type="checkbox"/> <input type="checkbox"/>		<input type="checkbox"/> <input type="checkbox"/> <input type="checkbox"/> <input type="checkbox"/>	<input type="checkbox"/> <input type="checkbox"/>
	TH9 through-hole SH9 surface mount	20 20Q 35 65		1WAS 1WPS 1WDS	00 blue 02 green 03 grey 04 yellow 06 white 08 red 09 black 30 ultra blue 40 dusty blue 42 aqua blue 53 metal light grey 57 metal dark grey

Ordering example:
5GTH935+1WAS00 without illumination OR 5GSH96582+1WDS16 with illumination OR *5GSH92042Q (illuminated quiet version)
Please see colour codes, updates of products and changes of specifications on www.mec.dk

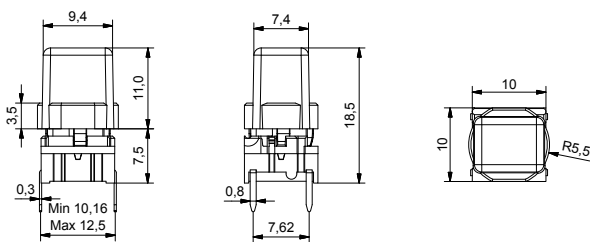
- Rectangular cap
- 7.4 mm x 9.4 mm
- h = 18.5 mm
- Material: ABS/polycarbonate
- Temp. Range:
 - Solid cap: -40/+65°C
 - Transparent cap: -40/+85°C
- Panel cut-out: 1XS-9.8 x 7.9



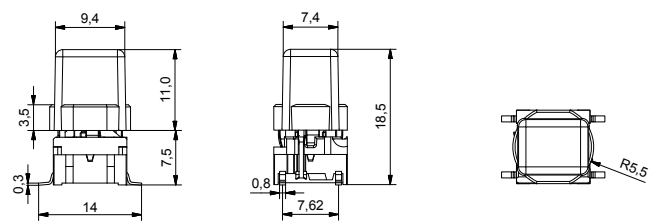
All dimensions in mm

DIMENSIONS


TH + 1XS




SMD w/LED + 1XS



ILLUMINATED – HOW TO ORDER

Switch	Mounting	Actuation force	LED	+	Cap	Colour code
5 G	<input type="checkbox"/> <input type="checkbox"/> <input type="checkbox"/>	<input type="checkbox"/> <input type="checkbox"/> <input type="checkbox"/>	<input type="checkbox"/> <input type="checkbox"/> <input type="checkbox"/> <input type="checkbox"/>		1 X S	<input type="checkbox"/> <input type="checkbox"/>
	TH9 through-hole SH9 surface mount	20 35 65 Q*	01 blue 22 green 42 yellow 61 white 82 red 2242 green/yellow 8222 red/green 8242 red/yellow			11 transparent 16 frosted white

NON-ILLUMINATED – HOW TO ORDER

Switch	Mounting	Actuation force	+	Cap	Colour code
5 G	<input type="checkbox"/> <input type="checkbox"/> <input type="checkbox"/>	<input type="checkbox"/> <input type="checkbox"/> <input type="checkbox"/>		1 X S	<input type="checkbox"/> <input type="checkbox"/>
	TH9 through-hole SH9 surface moun	20 20Q 35 65			00 blue 02 green 03 grey 04 yellow 06 white 08 red 09 black 30 ultra blue 40 dusty blue 42 aqua blue 32 mint green 33 tele grey 34 melon 38 noble red 50 metal dark blue 53 metal light grey 57 metal dark grey 58 metal bordeaux

Ordering example:

5GTH9352242+1XS16 with illumination OR 5GSH965+1XS02 non-illuminated OR *5GTH9208242Q (illuminated quiet version)

Please see colour codes, updates of products and changes of specifications on www.mec.dk

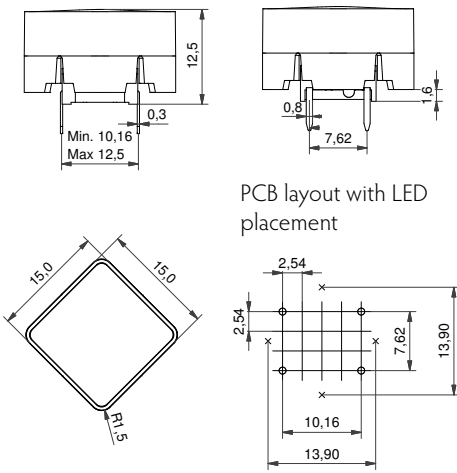


- Square cap
- Designed for foil overlay
- 15 mm x 15 mm
- h = 12.5 mm
- Material: ABS/polycarbonate
- Temp. Range: -40/+85°C
- Panel cut-out: 1YS-16 x 16

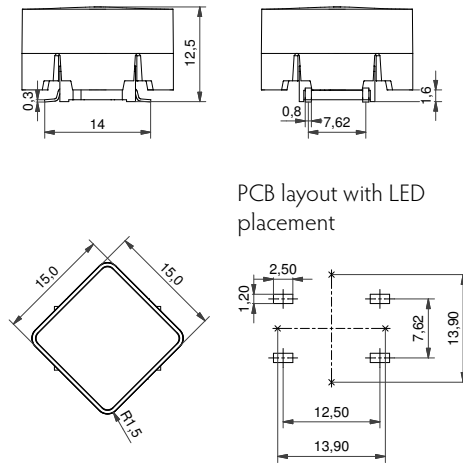
All dimensions in mm

DIMENSIONS

TH + 1YS

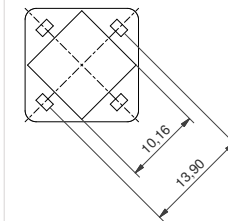


SMD + 1YS

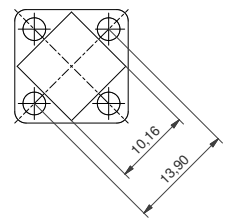


RECOMMENDED PLACEMENT OF LEDS

SMD



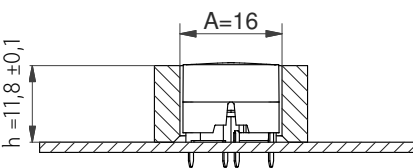
TH



LED Recommendation
 SMD: 1206 - 0805 - 0603 - 0402
 TH: 3 mm - Ø max 3.2 - Height max 6.5 mm

HOW TO ORDER

Switch	Mounting	Actuation force		Cap
5 E	<input type="checkbox"/> <input type="checkbox"/> <input type="checkbox"/>	<input type="checkbox"/> <input type="checkbox"/> <input type="checkbox"/>	+	1 Y S 0 6 1 6
	TH9 through-hole SH9 surface mount	20 20Q 35 65		1YS0616 white cap with frosted white lens



A: We recommend you to allocate enough space for travel of the foil and leave the area free from adhesive. Switch travel = 1 mm.

H: The height recommendation does not include the foil. We recommend embossing the foil to follow the curve of the keycap.

The best tactile feeling is obtained with a small pretravel.

The dimension H is based on an embossed foil. With a flat foil the dimension "H" will have to be adjusted, and enough area between the cap and front panel needs to be addressed to ensure foil flexibility.

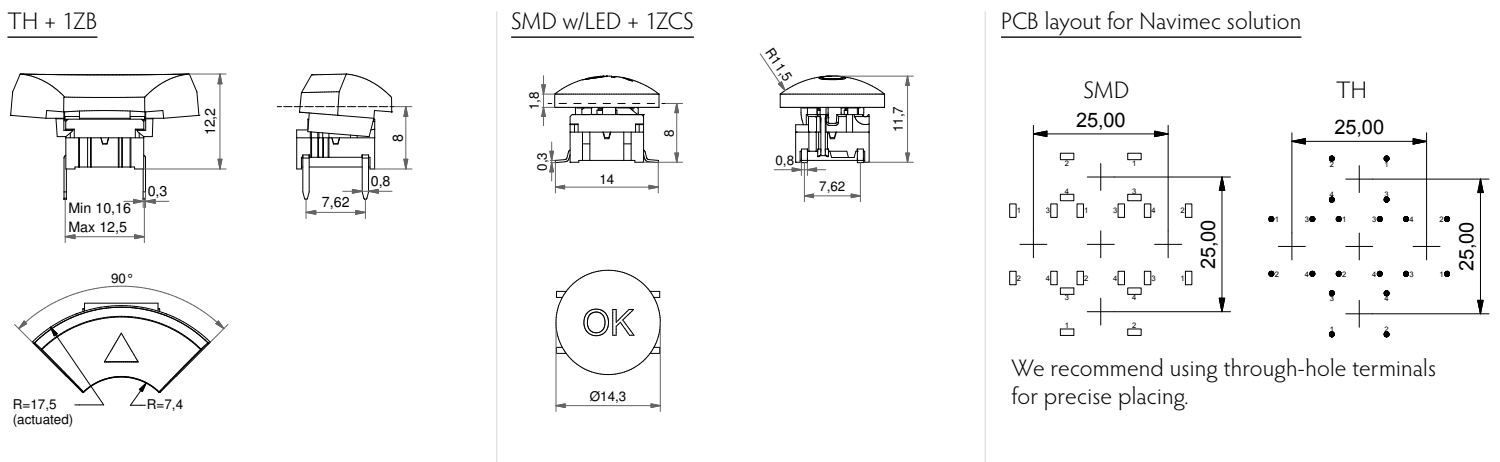
Ordering example: 5ESH935+1YS0616
 Please see colour codes, updates of products and changes of specifications on www.mec.dk

- Round solution
- Designed for navigating a display or controlling a unit
- 90° R=17.5 mm; Ø14.3 mm (Ø34.25 mm)
- h =12.2 mm; 11.7 mm
- Material: ABS/polycarbonate
- Temp. Range:
 - Solid cap: -40/+65°C
 - Transparent cap: -40/+85°C
- Panel cut-out: 1ZB-R₁ 7,1 R₂ 17,5 – 17,75 90° 1ZCS-Ø14.7
- navimec™ panel cut-out: Ø35,0 - 35,5 Depending on application

All dimensions in mm



DIMENSIONS



ILLUMINATED – HOW TO ORDER

Switch	Mounting	Actuation force	LED	+	Cap	Legend code
5 G	<input type="checkbox"/> <input type="checkbox"/> <input type="checkbox"/>	<input type="checkbox"/> <input type="checkbox"/> <input type="checkbox"/>	<input type="checkbox"/> <input type="checkbox"/> <input type="checkbox"/> <input type="checkbox"/>	<input type="checkbox"/>	1 Z B 1 6	<input type="checkbox"/> <input type="checkbox"/> <input type="checkbox"/>
	TH9 through-hole (SH9) surface mount	20 35 65 Q*	01 blue 22 green 42 yellow 61 white 82 red 2242 green/yellow 8222 red/green 8242 red/yellow		Frosted white with black hard paint and laser marking	DLMH136 ▲
						<input type="checkbox"/> <input type="checkbox"/> <input type="checkbox"/>
					1 Z C S 1 6	LMH118 OK LMH123 ⏻

*For an illuminated quiet 2.0N switch add Q to the end of the switch part number.

NON-ILLUMINATED – HOW TO ORDER

Switch	Mounting	Actuation force	+	Cap	Colour code	Legend code**
5 G	<input type="checkbox"/> <input type="checkbox"/> <input type="checkbox"/>	<input type="checkbox"/> <input type="checkbox"/> <input type="checkbox"/>	<input type="checkbox"/>	1 Z B	<input type="checkbox"/> <input type="checkbox"/>	<input type="checkbox"/> <input type="checkbox"/> <input type="checkbox"/>
	TH9 through-hole (SH9) surface mount	20 20Q 35 65			00 blue 02 green 03 grey 04 yellow 06 white 08 red 09 black	D136 ▲
				1 Z C S	30 ultra blue 40 dusty blue 42 aqua blue 50 metal dark blue 53 metal light grey 57 metal dark grey 58 metal bordeaux	<input type="checkbox"/> <input type="checkbox"/> <input type="checkbox"/>
					038 RESET 105 ENTER 118 OK 119 SET	120 MENU 121 FUNC 122 HOME 123 ⏻

** White legends on black caps are standard, other options are available but considered custom products. See pages 34-35 or www.mec.dk

Ordering example: 4x 5GTH93561+1ZB16DLMH136 + 1x 5GTH93561+1ZCS16LMH12309 (with illumination) OR 4x 5GSH920+1ZB09 + 1x 5GSH920+1ZCS09 (without illumination) OR *5GTH92001Q (illuminated quiet version)
Please see colour codes, updates of products and changes of specifications on www.mec.dk

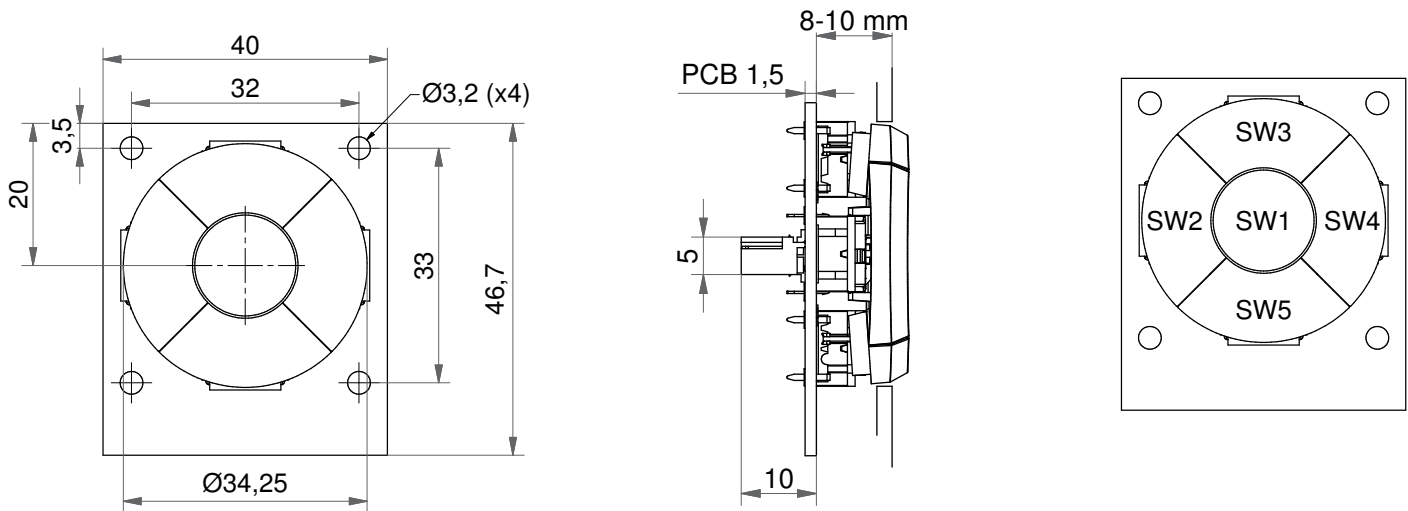


- Module should be attached to the front plate with bolts (bolts not supplied by MEC)
- Round solution
- Ø34.25 mm
- h =11.7 mm; 12.2 mm
- Temp. Range:
 - Solid cap: -40/+65°C
 - Transparent cap: -40/+85°C
- Recommended panel cut-out: Ø35,0 - 35,5 Depending on application

All dimensions in mm

DIMENSIONS

Navimec Module



When the 1ZB is activated the diameter changes from 34,25 mm to 35,0 mm

HOW TO ORDER

navimec[™] Module ordering options:

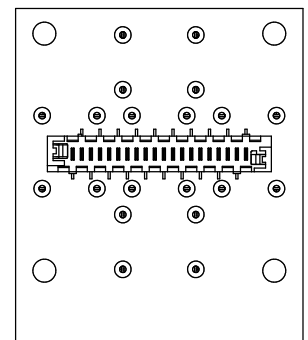
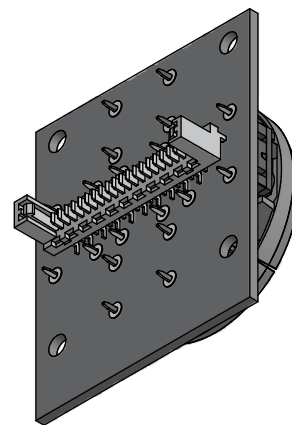
- navimec[™] Module excl. keycaps
- navimec[™] Module incl. keycaps
- navimec[™] Module incl. keycaps with legends
- Illuminated navimec[™] Module excl. keycaps
- Illuminated navimec[™] Module incl. keycaps with legends

Part no. for PCB and connector - 9810130

Part no. for switches and caps:

navimec[™] Module has many customisation options regarding actuation force, cap and LED colours and legends. Because of that ordering is based on part numbers of separate parts instead of one specific part number. MEC has the switches mounted on the module before delivery, which is included in the module price.

See previous page for information on switch and cap options as well as the examples below.



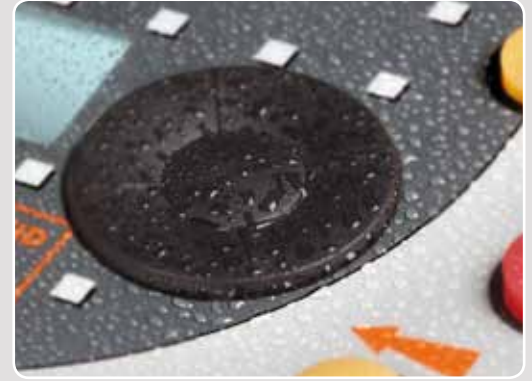
SEE THE CIRCUIT DIAGRAM AND CONNECTOR INFO ON PAGE 43

Ordering example: 9810130 + 4x 5GTH920 + 1x 5GTH920 (without caps) OR 9810130 + 4x 5GTH965+1ZB42 + 1x 5GTH965+1ZCS42 (with caps) OR 9810130+ 4x 5GTH93501+1ZB16DLMH13606 + 1x 5GTH93501 +1ZCS16LMH11809 (painted caps with laser engraved legends)

Please see colour codes, updates of products and changes of specifications on www.mec.dk

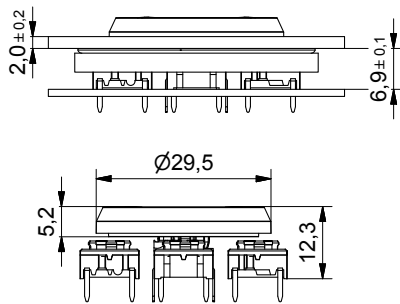
- Round cap
- Panel sealed solution, designed to control a unit or navigate a display
- Ø29.5 mm
- h = 12.3 mm
- Material: ABS/polycarbonate
- Temp. Range:
 - Solid cap: -40/+65°C
 - Transparent cap: -40/+85°C
- Panel cut-out: 1ZW-Ø30.3

All dimensions in mm

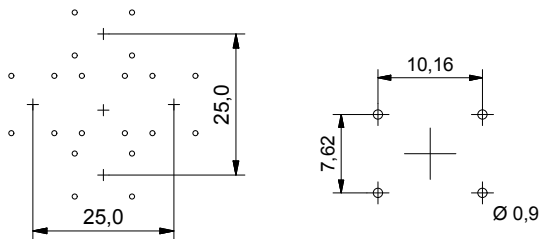


DIMENSIONS

TH + 1ZW




PCB layout



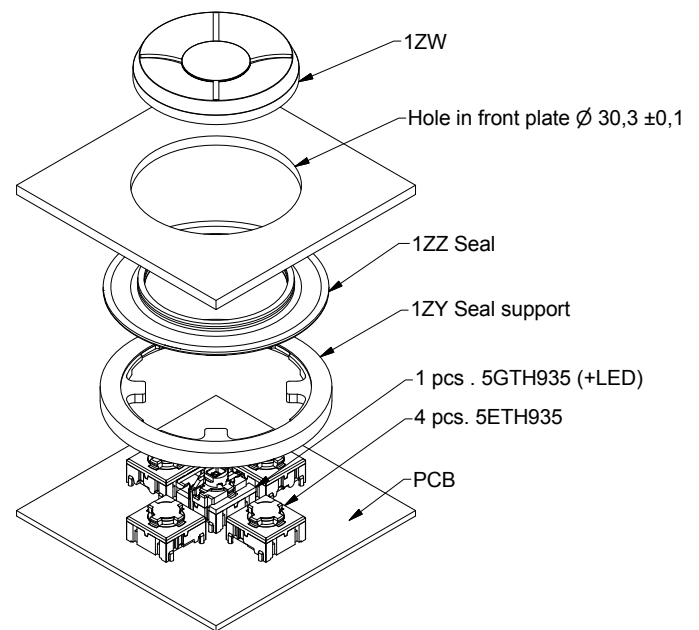
We recommend using through-hole terminals for precise placing.

ILLUMINATED - HOW TO ORDER

Switch	Mounting	Actuation force	LED (optional)		Cap	Colour code	Legend code
5 G	<input type="checkbox"/> <input type="checkbox"/> <input type="checkbox"/>	<input type="checkbox"/> <input type="checkbox"/>	<input type="checkbox"/> <input type="checkbox"/> <input type="checkbox"/> <input type="checkbox"/>	+	<input type="checkbox"/> <input type="checkbox"/> <input type="checkbox"/>	<input type="checkbox"/> <input type="checkbox"/>	<input type="checkbox"/> <input type="checkbox"/> <input type="checkbox"/>
	TH9 through-hole (SH9 surface mount)	35 65	01 blue 22 green 42 yellow 61 white 82 red 2242 green/yellow 8222 red/green 8242 red/yellow		1ZW 	00 blue 02 green 03 grey 04 yellow 06 white 08 red 09 black 16 frosted white	136 ▲ 118 OK 123 ⏻

Switch	Mounting	Actuation force		Panel seal	Seal	Seal support
5 E	<input type="checkbox"/> <input type="checkbox"/> <input type="checkbox"/>	<input type="checkbox"/> <input type="checkbox"/>	+	Panel seal	<input type="checkbox"/> <input type="checkbox"/> <input type="checkbox"/> <input type="checkbox"/>	<input type="checkbox"/> <input type="checkbox"/>
	TH9 through-hole (SH9 surface mount)	35 65			09 black 11 transparent 	1ZY 

MOUNTING EXAMPLE



Ordering example:

5GTH935+1ZW09+4x 5ETH935+1ZZ+1ZY without illumination OR 5GTH96582+1ZW16LMH13611809+4x 5ETH965+1ZZ+1ZY with illumination

Please see colour codes, updates of products and changes of specifications on www.mec.dk

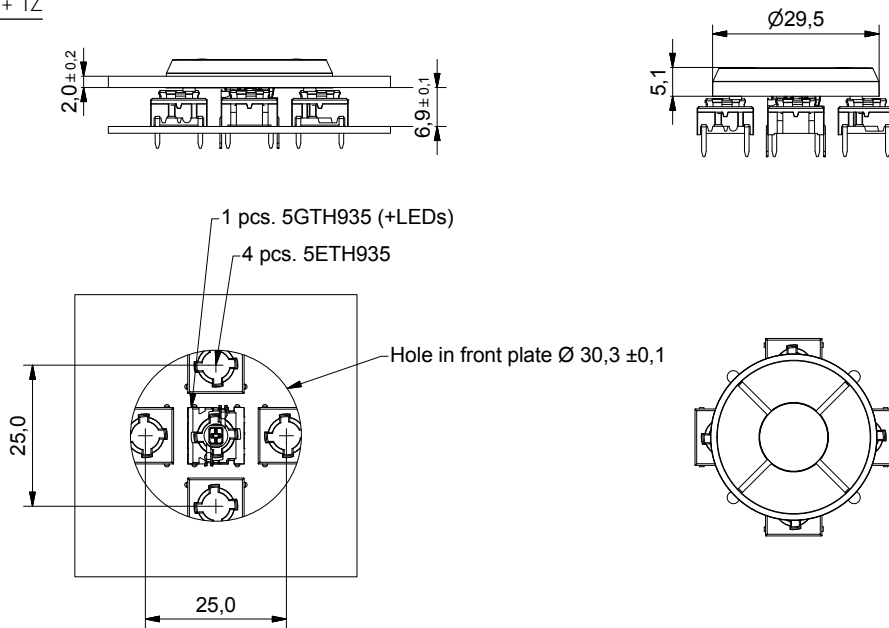


- Round cap
- Designed to control a unit or navigate in a display
- Ø29.5 mm
- h =12.0 mm
- Material: ABS/polycarbonate
- Temp. Range:
 - Solid cap: -40/+65°C
 - Transparent cap: -40/+85°C
- Panel cut-out: 1Z-Ø30.3

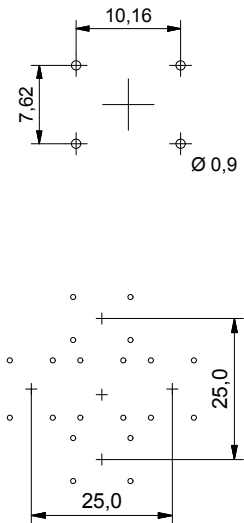
All dimensions in mm

DIMENSIONS

TH + 1Z




PCB layout



We recommend using through-hole terminals for precise placing

ILLUMINATED - HOW TO ORDER

Switch	Mounting	Actuation force	LED (optional)	+	Cap	Colour code	Legend code
5 G	<input type="checkbox"/> <input type="checkbox"/> <input type="checkbox"/>	<input type="checkbox"/> <input type="checkbox"/>	<input type="checkbox"/> <input type="checkbox"/> <input type="checkbox"/> <input type="checkbox"/>	+	<input type="checkbox"/> <input type="checkbox"/> <input type="checkbox"/>	<input type="checkbox"/> <input type="checkbox"/>	<input type="checkbox"/> <input type="checkbox"/> <input type="checkbox"/> <input type="checkbox"/>
	TH9 through-hole (SH9 surface mount)	35 65	01 blue 22 green 42 yellow 61 white 82 red 2242 green/yellow 8222 red/green 8242 red/yellow		1Z 	00 blue 02 green 03 grey 04 yellow 06 white 08 red 09 black 16 frosted white	136 ▲ 118 OK 123 ⏻

Switch	Mounting	Actuation force
5 E	<input type="checkbox"/> <input type="checkbox"/> <input type="checkbox"/>	<input type="checkbox"/> <input type="checkbox"/>
	TH9 through-hole (SH9 surface mount)	35 65

Ordering example:
5GTH935+1Z03 +4x 5ETH935 without illumination OR 5GTH96561+1Z16LMH13611809 +4x 5ETH965 with illumination
Please see colour codes, updates of products and changes of specifications on www.mec.dk

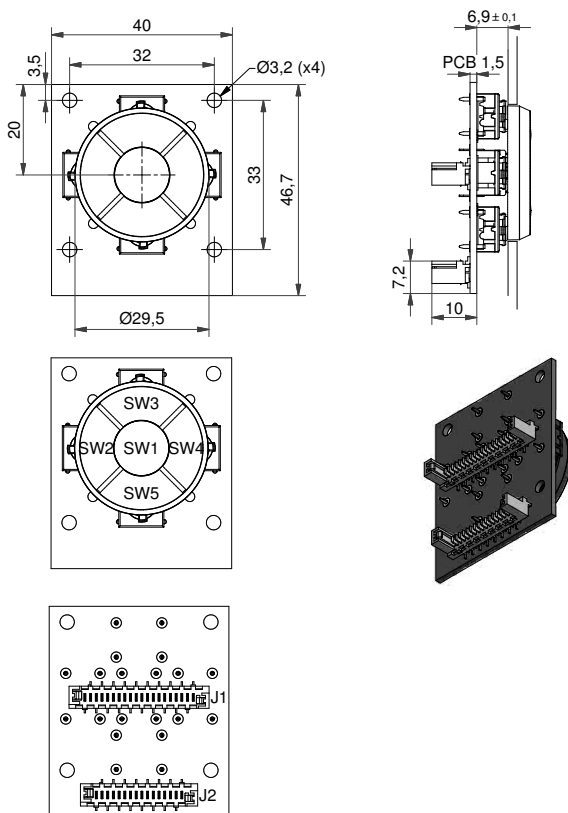
- Module should be attached to the front plate with bolts (bolts not supplied by MEC)
- Round cap
- Panel sealed or non-panel sealed solution
- Ø29.5 mm
- h =12.3 mm; 12.0 mm
- Temp. Range:
 - Solid cap: -40/+65°C
 - Transparent cap: -40/+85°C
- Panel cut-out: 1ZW/1Z module-Ø30.3

All dimensions in mm

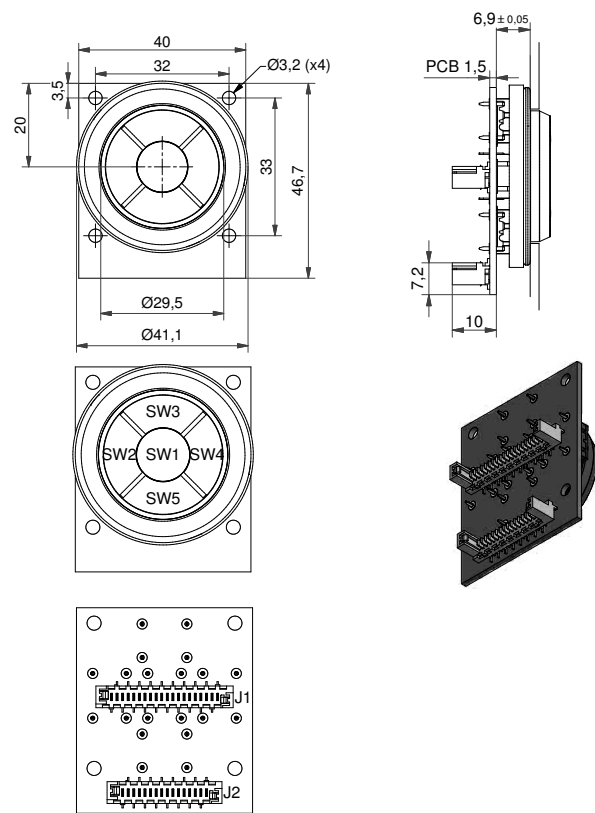


DIMENSIONS

1Z module



1ZW module



HOW TO ORDER

controlmec™ Module ordering options:

- controlmec™ Module excl. keycaps
- controlmec™ Module incl. keycaps
- controlmec™ Module incl. keycaps with legends
- illuminated controlmec™ Module excl. keycaps
- illuminated controlmec™ Module incl. keycaps with legends
- Sealed controlmec™ Module excl. keycaps
- Sealed controlmec™ Module incl. keycaps
- Sealed controlmec™ Module incl. keycaps with legends
- Sealed illuminated controlmec™ Module excl. keycaps
- Sealed illuminated controlmec™ Module incl. keycaps with legends

Part no. for PCB and switch connector - 9810130

Part no. for PCB and both connectors switch and LEDs - 9810135

Part no. for switches and caps:

controlmec™ Module has many customisation options regarding actuation force, cap and LED colours and legends. Because of that ordering is based on part numbers of separate parts instead of one specific part number. MEC has the switches mounted on the module before delivery, which is included in the module price.

See previous pages for information on switch and cap options as well as the examples below.

SEE THE CIRCUIT DIAGRAM AND CONNECTOR INFO ON PAGE 43

Ordering example: 9810130 + 5GTH965+1Z00+4x 5ETH965 (without illumination)
 9810130 + 5GTH93561+1Z16LMH13611809+4x 5ETH935 (with illumination)
 9810130 + 5GTH935+1ZW08+4x 5ETH935+1ZZ+1ZY (sealed without illumination)
 9810130 + 5GTH96582+1ZW16LMH13612309+4x 5ETH965+1ZZ+1ZY (sealed with illumination)

Please see colour codes, updates of products and changes of specifications on www.mec.dk

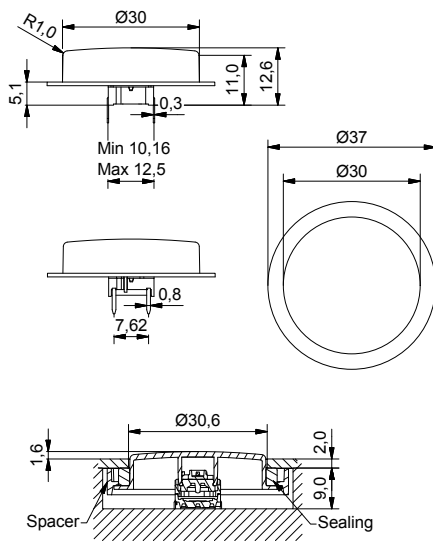


- Panel sealing option
- Round cap
- Ø30 mm
- h =11 mm
- Material: ABS/polycarbonate
- Temp. Range:
 - Solid cap: -40/+65°C
 - Transparent cap: -40/+85°C
- Panel cut-out: 10R/10RF/10RM-Ø30.6
- Height of the spacer: 3.9mm/4.9mm

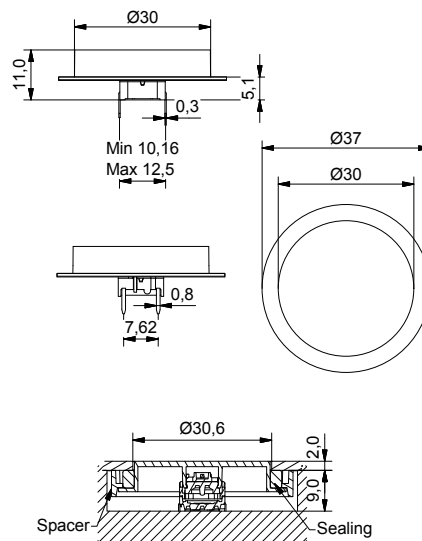
All dimensions in mm

DIMENSIONS

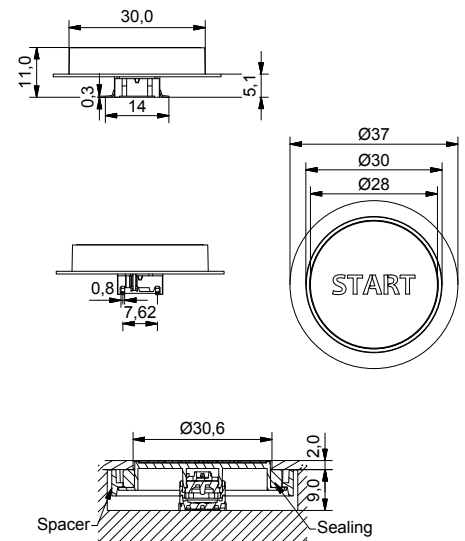
TH + 10R



TH + 10RF



SMD w/LED + 10RM



ILLUMINATED – HOW TO ORDER

Switch	Mounting	Actuation force	LED	Cap	Sealing	Colour code	Spacer
5 G	<input type="checkbox"/> <input type="checkbox"/> <input type="checkbox"/>	<input type="checkbox"/> <input type="checkbox"/> <input type="checkbox"/>	<input type="checkbox"/> <input type="checkbox"/> <input type="checkbox"/> <input type="checkbox"/> +	<input type="checkbox"/> <input type="checkbox"/> <input type="checkbox"/>	<input type="checkbox"/>	<input type="checkbox"/> <input type="checkbox"/>	+ <input type="checkbox"/> <input type="checkbox"/> <input type="checkbox"/> <input type="checkbox"/> <input type="checkbox"/> <input type="checkbox"/>
	TH9 through-hole SH9 surface mount	20 35 65 Q*	01 blue 22 green 42 yellow 61 white 82 red 2242 green/yellow 8222 red/green 8242 red/yellow	10R 10RF 10RM 	W sealing optional 	16 frosted white	optional

*For an illuminated quiet 2.0N switch add Q to the end of the switch part number.

See pages 34-35 for metal legend.

NON-ILLUMINATED – HOW TO ORDER

Switch	Mounting	Actuation force	Cap	Sealing	Colour code	Spacer
5 G	<input type="checkbox"/> <input type="checkbox"/> <input type="checkbox"/>	<input type="checkbox"/> <input type="checkbox"/> <input type="checkbox"/> +	<input type="checkbox"/> <input type="checkbox"/> <input type="checkbox"/>	<input type="checkbox"/>	<input type="checkbox"/> <input type="checkbox"/>	+ <input type="checkbox"/> <input type="checkbox"/> <input type="checkbox"/> <input type="checkbox"/> <input type="checkbox"/> <input type="checkbox"/>
	TH9 through-hole SH9 surface mount	20 20Q 35 65	10R 10RF 	W sealing optional 	00 blue 02 green 03 grey 04 yellow 06 white 08 red 09 black	optional

Ordering example: 5GSH965+10R08+10RY non-illuminated with spacer OR 5GTH93501+10RM16031 with illumination OR 5GSH920Q+10RFW0901806 with sealing OR *5GTH92061Q (illuminated quiet version)

Please see colour codes, updates of products and changes of specifications on www.mec.dk

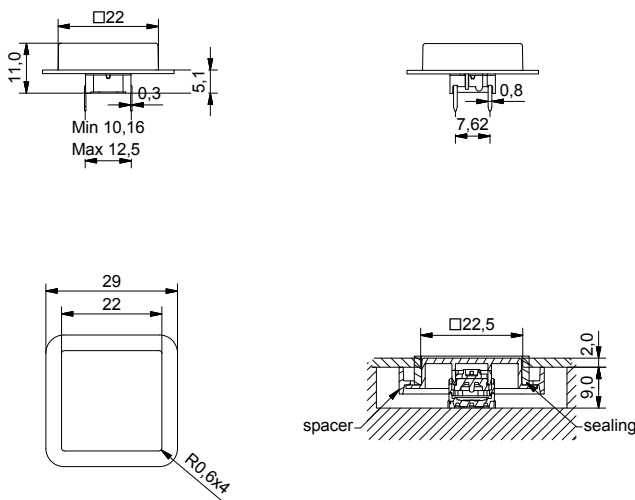
- Panel sealing option
- Square cap
- 22 mm x 22 mm
- h = 11 mm
- Material: ABS/polycarbonate
- Temp. Range:
 - Solid cap: -40/+65°C
 - Transparent cap: -40/+85°C
- Panel cut-out: 10Q/10QM-22.5 x 22.5
- Height of the spacer: 3.9mm/5.1mm



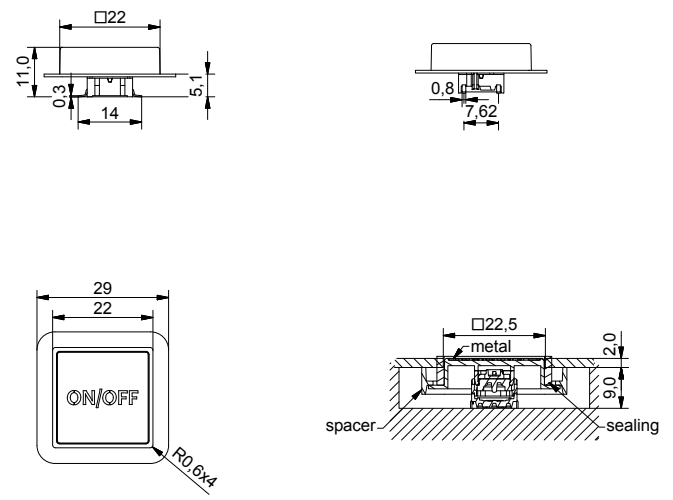
All dimensions in mm

DIMENSIONS

TH + 10Q



SMD w/LED + 10QM



ILLUMINATED – HOW TO ORDER

Switch	Mounting	Actuation force	LED		Cap	Sealing	Colour code		Spacer
5 G	<input type="checkbox"/> <input type="checkbox"/> <input type="checkbox"/>	<input type="checkbox"/> <input type="checkbox"/>	<input type="checkbox"/> <input type="checkbox"/> <input type="checkbox"/> <input type="checkbox"/>	+	<input type="checkbox"/> <input type="checkbox"/> <input type="checkbox"/> <input type="checkbox"/>	<input type="checkbox"/>	<input type="checkbox"/> <input type="checkbox"/>	+	1 0 Q Y
	TH9 through-hole SH9 surface mount	20 35 65 Q*	01 blue 22 green 42 yellow 61 white 82 red 2242 green/yellow 8222 red/green 8242 red/yellow		10Q 10QM 	W sealing optional 	16 frosted white		optional

*For an illuminated quiet 2.0N switch add Q to the end of the switch part number.

See pages 34-35 for metal legend.

NON-ILLUMINATED – HOW TO ORDER

Switch	Mounting	Actuation force		Cap	Sealing	Colour code		Spacer
5 G	<input type="checkbox"/> <input type="checkbox"/> <input type="checkbox"/>	<input type="checkbox"/> <input type="checkbox"/> <input type="checkbox"/>	+	<input type="checkbox"/> <input type="checkbox"/> <input type="checkbox"/> <input type="checkbox"/>	<input type="checkbox"/>	<input type="checkbox"/> <input type="checkbox"/>	+	1 0 Q Y
	TH9 through-hole SH9 surface mount	20 20Q 35 65		10Q 	W sealing optional 	00 blue 02 green 03 grey 04 yellow	06 white 08 red 09 black	optional

Ordering example: 5GSH920+10Q00+10QY non-illuminated with spacer OR 5GTH93582+10QM16017 with illumination OR 5GSH920Q+10QW0910506 OR *5GTH92001Q (illuminated quiet version)

Please see colour codes, updates of products and changes of specifications on www.mec.dk

AUDIO – FOOT PEDAL



MEC part no: 5GTH935 + 1VS09

SECURITY PANEL



MEC part no: 5GSH920 + 1PS chromed

COFFEE MACHINE



MEC part no: 5GTH965 + 1TS09 + 1TS00

LEISURE - CASINO CHIP SORTER



MEC part no: navimec™, 5GTH935 + 1ZCS09

MEDICAL – REMOTE CONTROL FOR CT SCANNER



MEC part no: navimec™, 5GSH935 + 1ZCS30 + 1GAS04

AUDIO – TURNTABLE



MEC part no: navimec™, 5GSH935 + 1KS1116

AGRICULTURE – TRACTOR



MEC part no: 5GTH965 + 1JS00



MEC part no: 5GTH965 + 1KS0016

MILITARY - NAVIGATION CHART SYSTEMS



MEC part no: 5GSH935 + 1TS09 +1PS09

AUDIO – CHILDREN'S RADIO



MEC part no: 5GSH935 + 1DS in many colours

INSTRUMENTATION – MEASUREMENT CONTROLLER



MEC part no: navimec™, 5GSH920 + 1ZCS08 + 1A09 + 1PS30

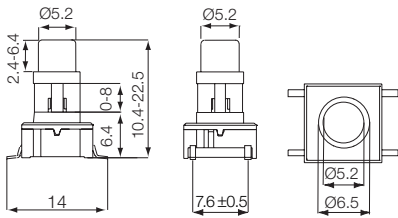


- Round caps
- 2400 options in the series
- Ø5.2 mm; Ø7.8 mm; Ø11.6 mm
- h =10.4-22.5 mm
- Material: polyamide
- Temp. Range:-40/+160°C

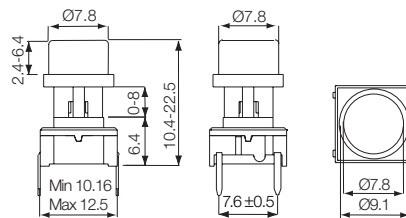
All dimensions in mm

DIMENSIONS

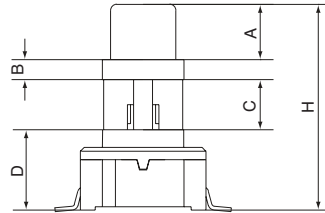
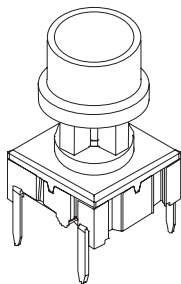
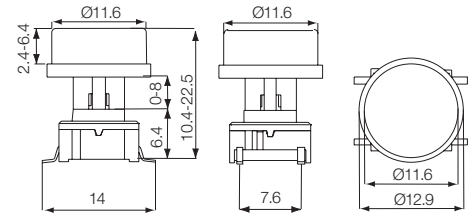
SMD+Round ø5.2



TH+Round ø7.8



SMD+Round ø11.6



The Concept

H= Overall heights from 10.4-22.5
 A= Variable height from 2.4 to 6.4
 H has to exceed A with min. 8.0
 B= Fixed recess 1.6
 D= Fixed switch 6.4
 C= variable from 0-8.1
 C=H-A-B-D
 All measurements in mm

HOW TO ORDER

Switch	Shape and size	Colour code	Overall height H	Height above recess A	Tape*
3 E T L	<input type="checkbox"/>	<input type="checkbox"/>	<input type="checkbox"/>	<input type="checkbox"/>	<input type="checkbox"/>
3 E S H	A 5.2 Round	60 blue	A 10.4	A 2.4	R
3 E T H	E 7.8 Round	63 grey	B 11.0	B 3.0	
	K 11.6 Round	64 yellow	C 12.0	C 3.5	
		68 red	D 12.5	D 4.0	
		69 black	E 13.0	E 4.5	
			F 14.0	F 5.0	
			G 15.0	G 5.6	
			H 16.0	H 6.4	
			J 19.0		
			K 22.5		

Ordering example:

Examples switch and cap: 3ETLE64CC = Switch 3ETL, 7.8 round cap, yellow, overall height 12.0, height above recess 3.5, (height under recess 0.5).

Example caap alone: 3E-E63FF = Cap, 7.8 round, grey, overall height with switch 14.0, height above recess 5.0, (height under recess 1.0).

Min. order is 2.000 pcs. per shape, size and heights for parts mentioned above.

For heights not mentioned in the list a start-up fee will apply.

*Only overall height up to 12.5mm can be supplied on tape.

Please see colour codes, updates of products and changes of specifications on www.mec.dk

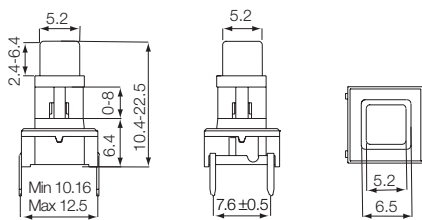
- Square caps
- 2400 options in the series
- 5.2 mm x 5.2 mm; 7.8 mm x 7.8 mm; 11.6 mm x 11.6 mm
- h = 10.4-22.5 mm
- Material: polyamide
- Temp. Range: -40/+160°C



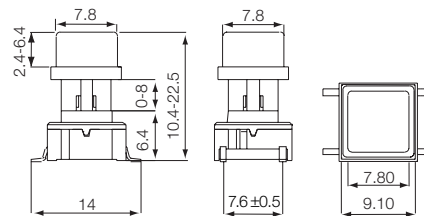
All dimensions in mm

DIMENSIONS

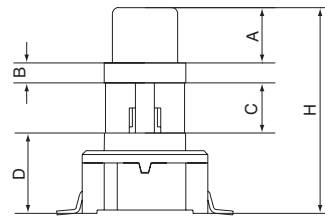
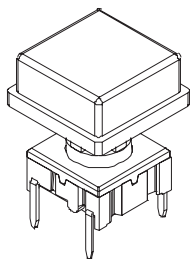
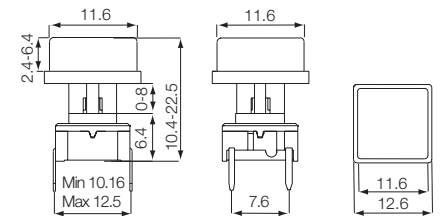
TH+Square 5.2



SMD+Square 7.8



TH+Square 11.6



The Concept

H= Overall heights from 10.4-22.5
 A= Variable height from 2.4 to 6.4
 H has to exceed A with min. 8.0
 B= Fixed recess 1.6
 D= Fixed switch 6.4
 C= variable from 0-8.1
 C=H-A-B-D
 All measurements in mm

HOW TO ORDER

Switch	Shape and size	Colour code	Overall height H	Height above recess A	Tape*
3 E T L					
3 E S H	B 5.2 Square	60 blue	A 10.4	A 2.4	R
3 E T H	F 7.8 Square	63 grey	B 11.0	B 3.0	
	L 11.6 Square	64 yellow	C 12.0	C 3.5	
		68 red	D 12.5	D 4.0	
		69 black	E 13.0	E 4.5	
			F 14.0	F 5.0	
			G 15.0	G 5.6	
			H 16.0	H 6.4	
			J 19.0		
			K 22.5		

Ordering example:

Examples switch and cap: 3ESHB60AA = Switch 3ESH, 5.2 square cap, blue, overall height 10.4, height above recess 2.4, (height under recess 0).

Example caap alone: 3E-E63FF = Cap, 7.8 square, grey, overall height with switch 14.0, height above recess 5.0, (height under recess 1.0).

Min. order is 2.000 pcs. per shape, size and heights for parts mentioned above.

For heights not mentioned in the list a start-up fee will apply.

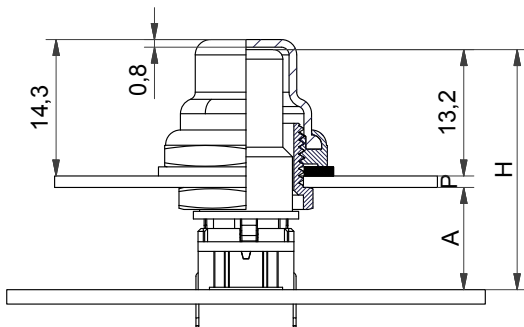
*Only overall height up to 12.5mm can be supplied on tape.

Please see colour codes, updates of products and changes of specifications on www.mec.dk



- Round cap
- Solution panel sealed to IP 67
- Ø10.6 mm
- h =24.2-27.2 mm (h from front panel=14.3 mm)
- Material: ABS/polycarbonate
- Temp. Range:
 - Solid cap: -40/+65°C
 - Transparent cap: -40/+85°C

All dimensions in mm



$$H=A+P+13.2$$

this leaves nominal 0.3 mm clearance between the top of the cap and the inner side of the sealing boot to accomplish assembly tolerances. A can be chosen between 10-13 mm, we recommend 10 mm to reduce building height and optimise cap guidance.

A	P	CAP	H	BUSHING
10.0	1.0	AQCSxx-24.2	24.2	AQN-0.5
10.0	2.0	AQCSxx-25.2	25.2	AQN-0.5
10.0	3.0	AQCSxx-26.2	26.2	AQN-2.5
10.0	4.0	AQCSxx-27.2	27.2	AQN-2.5


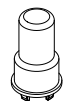
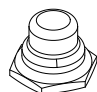
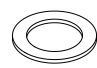
Cap is available in black (09) or transparent (11).

The dimension H is the overall height of the switch+cap.

Bushing AQN-0.5 accepts panel thickness (P) 0.5-2.5 mm.


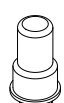
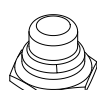

Bushing AQN-2.5 accepts panel thickness (P) 2.5-4.0 mm.

ILLUMINATED – HOW TO ORDER

Switch	Mounting	Actuation force	LED	Bushing	Cap	Overall height (H)	Sealing boot
5 G				+ A Q N - .	+ A Q C S	- . .	+ A Q B 0 1
TH9	20	01 blue	0.5	11 transparent	24.2	incl. sealing	
through-hole	35	22 green	2.5			25.2	11 transparent
	65	42 yellow			26.2		
SH9	Q*	61 white			27.2		
surface mount		82 red					
		2242 green/yellow					
		8222 red/green					
		8242 red/yellow					

*For an illuminated quiet 2.0N switch add Q to the end of the switch part number.

NON-ILLUMINATED – HOW TO ORDER

Switch	Mounting	Actuation force	Bushing	Cap	Overall height (H)	Sealing boot	
5 G			+ A Q N - .	+ A Q C S	- . .	+ A Q B 0 1	
TH9	20	09 black	0.5	09 black	24.2	incl. sealing	
through-hole	20Q	2.5	2.5			25.2	09 black
	35				26.2		
SH9	65				27.2		
surface mount							

Ordering example: 5GTH93522+AQN-0.5+AQCS11-24.2+aqb0111 with illumination OR 5GSH965+AQN-2.5+AQCS09-27.2+aqb0109 non-illuminated, *5GSH92082Q (illuminated quiet version)

Please see colour codes, updates of products and changes of specifications on www.mec.dk

- Designed for 5G cap retention system
- Stackable, giving the possibility to match most overall heights
- $h = 5-10$ mm
- Material: Nylon
- Temp. Range:
 - Switch: $-40/+160^{\circ}\text{C}$
 - LED: $-30/+85^{\circ}\text{C}$
 - Solid keycap: $-40/+65^{\circ}\text{C}$
 - Transparent keycap: $-40/+85^{\circ}\text{C}$

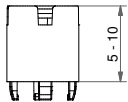
All dimensions in mm



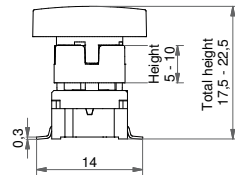
DIMENSIONS

2SS

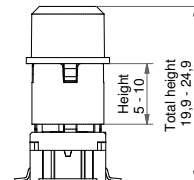
5 mm, 6 mm, 7 mm, 8 mm,
9 mm, 10 mm



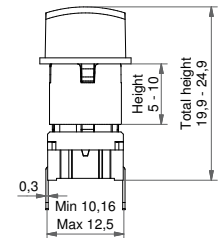
SMD + 2SS+1GCS



SMD + 2SS+1DS



TH + 2SS+1TS

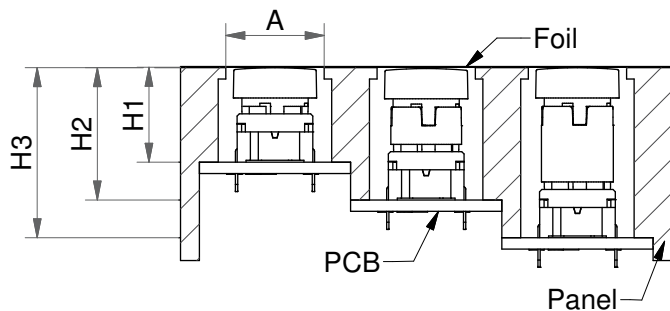


HOW TO ORDER

Switch	Mounting	Actuation force	LED (optional)	+	Cap	Extender 2SS height
5 G	<input type="checkbox"/> <input type="checkbox"/> <input type="checkbox"/>	<input type="checkbox"/> <input type="checkbox"/>	<input type="checkbox"/> <input type="checkbox"/> <input type="checkbox"/> <input type="checkbox"/>	+	<input type="checkbox"/> <input type="checkbox"/> <input type="checkbox"/>	2 5 5 0 9 - . 0
	TH9 through-hole SH9 surface mount	20 35 65 Q*	01 blue 22 green 42 yellow 61 white 82 red 2242 green/yellow 8222 red/green 8242 red/yellow		See the table below	05.0 06.0 07.0 08.0 09.0 10.0

*For an illuminated quiet 2.0N switch add Q to the end of the switch part number.

How to use 1GAS/1GCS + 2SS under foil



A=We recommend you to allocate enough space for travel of the foil and leave the area free from adhesive
H=We recommend you to calculate this dimension from the top of the PCB to the inner top of the panel with a small pretention 0.1-0.2mm

2SS can be used with all 5G-type snap-on caps

All 2SS extenders are stackable giving the possibility to match most overall heights.

Cap	Original height (H1)	Height with a single extender (H2;H3)
1DS/1ES/1FS	14.9	19.9-24.9
1GAS/1GCS	12.5	17.5-22.5
1KS/1KBS/1KCS	19.1; 20.2; 20.1	24.1; 25.2; 25.1-29.1; 30.2; 30.1
1NS	14.9	19.9-24.9
1TS/1US/1VS	14.9	19.9-24.9
1WAS/1WDS/1WPS	15.7	20.7-25.7
1XS	18.5	23.5-28.5
1ZCS	11.7	16.7-21.7

Ordering example: 5GTH935+1GAS09+2SS09-06.0 OR *5GSH920Q or 5GTH92082Q (quiet version)
Please see colour codes, updates of products and changes of specifications on www.mec.dk

Legends

Available for Multimec caps

standard legends

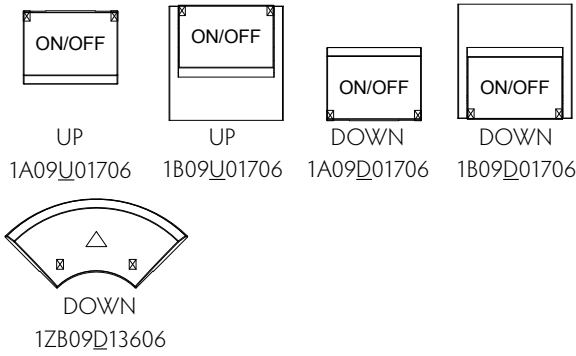
LEGEND	1A09U_ 1A09D_	1B09U_ 1B09D_	1DS09_	1FS096R_	1ZB09D_ 1ZB16DLM_	1ZCS_	10R_ & 10RF_ 10RM16_	10Q_ 10QM16_	STANDARD OPTIONS
0	000	000	000	000					1A & 1B pad printed
1	001	001	001	001					
2	002	002	002	002					1DS pad printed
3	003	003	003	003					
4	004	004	004	004					1FS reverse printed
5	005	005	005	005					
6	006	006	006	006					1ZB pad printed *laser marked
7	007	007	007	007					
8	008	008	008	008					
9	009	009	009	009					
A	010	010							1ZCS pad printed *reverse printed *laser marked
B	011	011							
C	012	012							
D	013	013							
E	014	014							10R(F) & 10Q pad printed reverse printed
F	015	015							
#	107	107	107	107					
*	019	019	019	019					10RM & 10QM metal symbol
☐	016	016							
→	033	033	033						
←	133	133	133						
↑	034	034	034						
↓	134	134	134						
↙	135	135	135	135					
+	054	054					054	054	
-	059	059					059	059	
●	056	056							
▲					136*				
⏻	123	123	123	123		123*	123	123	
ON/OFF	017	017					017	017	
STOP	018	018					018	018	
START	031	031					031	031	
REPEAT	035	035							
CLEAR	036	036							
LOAD	037	037							
RESET	038	038				038	038	038	
PRINT	040	040							
MANUAL	044	044							
HOLD	045	045							
CANCEL	048	048					048	048	
ENTER						105	105	105	
ON	116	116							
OFF	117	117							
OK						118*	118	118	
SET						119			
MENU						120			
FUNC						121			
HOME						122			

Ordering example: 1A09D00306; 1FS096R12309; 1ZB09D13606; 1ZCS16LMH11809
Please see colour codes, updates of products and changes of specifications on www.mec.dk

Legends

Available for Multimec caps

how to order

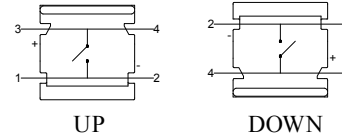


POSITIONING OF LEGENDS ON ROCKER-ACTION CAPS

When ordering legends for caps with hinge-type cap retention system, it is important to note the position of the cap. An extra letter (U or D) needs to be added to the part number to refer to the position of the hinges in relation to the legend. See samples to the left.

Rocker-action caps without a lens: 1A, 1B, 1M, 1ZA and 1ZB

Orientation of the switch:



LEGEND ILLUMINATION

Option 1: LASER MARKED

In case of laser marked legends an "LM" is added after the cap colour, before the legend code. We recommend using hard paint (additional "H") for increased lifetime of the paint. E.g. 1ZB16DLMH13609

Option 2: REVERSE PRINTED

In case of reverse printed caps an "R" is added after the cap colour, before the legend code. Especially relevant when standard legends has both negative and positive print option. E.g. 1FS096R00009

Option 3: METAL SYMBOL

Only available for 10RM and 10QM (therefore the "M"). E.g. 10RM16059

STANDARD AND CUSTOM LEGENDS - HOW TO ORDER

STANDARD LEGENDS

- Standard are only certain legends on certain caps. See the table on the previous page.
- All standard pad-printed legends are white on black caps.
- All standard reverse-printed and laser marked legends are black on frosted white cap.

Cap	Cap colour	Direction*	Type*	Legend	Legend colour*
□□□□	□□	□□	□□□□	□□□□	□□
1A	00 blue	D down	LM laser marked on soft paint	001 1	00 blue
1B	02 green	U up	LMH laser marked on hard paint	002 2	02 green
... etc	03 grey		R reverse printed	003 3	03 grey
	04 yellow	*only for hinge-type caps	*in case of illumination	... etc	04 yellow
	06 white				06 white
	08 red				08 red
	09 black				09 black
	16 frosted white				... etc
	... etc				

*in case of laser marked legends the colour of the soft or hard paint

NOTE:

- The size of the legends listed may not correspond to the actual size.
- If you decide to use one of the standard legends without any adjustments (without a new cliché) on another cap than designated in the table, then there is no start-up cost, for this to apply the cap has to be black and the print white.
- Standard legend colours are white paint on a black cap and black paint on a frosted white cap. Other colour combinations are handled as custom.
- For further information on legends please contact your local distributor or MEC.



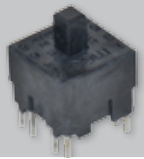







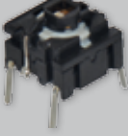


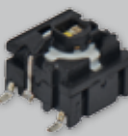












PLEASE FIND THE FULL LIST OF AVAILABLE LEGENDS ON MEC WEBSITE www.mec.dk

Ordering example: 1ZW0913611806; 1B06U13508; 10R16R10509

Please see colour codes, updates of products and changes of specifications on www.mec.dk

Switch series

Selection guide

	MOMENTARY	LATCHING	QUIET	KEY FEATURES
2.5N actuation force	1540x >10M operations -40/+160°C silver or gold contacts 	1545x 5M operations -40/+160°C silver or gold contacts 	15420 >10M operations -40/+160°C gold contacts 	unimec: through-hole double pole 8 contact functions 1.8mm travel
	STANDARD	STANDARD	ILLUMINATED	KEY FEATURES
3.5N (3 series) actuation force	3CTH9 through-hole -40/+160°C 	3ETH9 through-hole -40/+160°C 	3FTH9xxRAS through-hole 	Multimec 3 series: momentary/ single pole >10 million operations IP 67 1 mm travel
	3CSH9 surface mount -40/+160°C 	3ESH9 surface mount -40/+160°C 		
2.0N actuation force	5ETH920 through-hole quiet version RAS version NO or NC/NO 	5GTH920 through-hole quiet version RAS version NO or NC/NO 	5GTH920xx through-hole quiet version 	Multimec 5 series: momentary/ single pole >10 million operations IP 67 – 1mm travel Temp. range: -40/+160°C
	5ESH920 surface mount quiet version NO or NC/NO 	5GSH920 surface mount quiet version NO or NC/NO 	5GSH920xx surface mount quiet version 	Function: normally open (NO) or normally closed/normally open (NC/NO) - two options possible in all actuation forces and both 5G and 5E
3.5N actuation force	5ETH935 through-hole RAS version NO or NC/NO 	5GTH935 through-hole RAS version NO or NC/NO 	5GTH935xx through-hole 	LED colours: 01 blue - 22 green - 42 yellow 61 white - 82 red - 8222 red/ green - 2242 green/yellow 8242 red/yellow
	5ESH935 surface mount NO or NC/NO 	5GSH935 surface mount NO or NC/NO 	5GSH935xx surface mount 	RAS: right angle version only available with through-hole (TH) normally open (NO) switch
6.5N actuation force	5ETH965 through-hole RAS version NO or NC/NO 	5GTH965 through-hole RAS version NO or NC/NO 	5GTH965xx through-hole 	
	5ESH965 surface mount NO or NC/NO 	5GSH965 surface mount NO or NC/NO 	5GSH965xx surface mount 	

10 MILLION ACTUATIONS

IP 67 SEALING

NORMALLY OPEN (NO) OR

NORMALLY CLOSED/NORMALLY OPEN (NC/NO)

THROUGH-HOLE RIGHT ANGLE VERSION

QUIET CONTACT OPTION WITH 2.0N



multimec® 5 series is the new generation of 3A, 3F, 4A and 4F switch. In principle the multimec® 5 series is very similar to the 3 series - it has the same pin layout, the same dimensions and the same electrical specifications.

The four main updates are the cap retention system and actuator, three standard actuation forces, one temperature range and possibility of normally closed/normally open function.



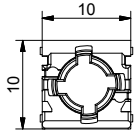
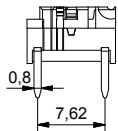
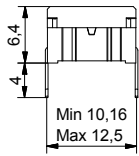


- Through-hole (TH) or surface mount (SMD)
- 50mA/24VDC
- Single pole/momentary
- 10,000,000 operations lifetime
- Temperature range:
 - Switch: -40/+160°C
 - LED: -40/+85°C
- IP 67 sealing
- Actuation force: 2.0N, 3.5N, 6.5N
- NO or NC/NO

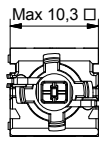
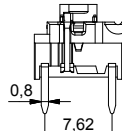
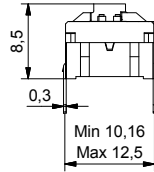
All dimensions in mm

THROUGH-HOLE (TH)

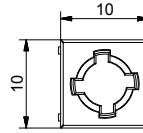
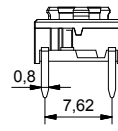
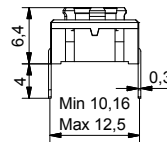
5G



5G illuminated

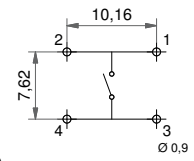


5E

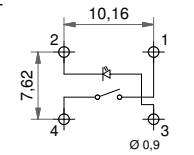


PCB LAYOUT

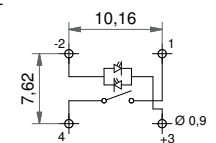
Non-illuminated



1 LED

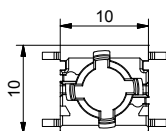
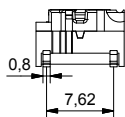
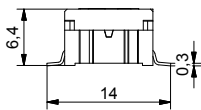


2 LED

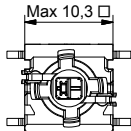
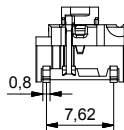
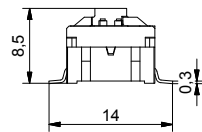


SURFACE MOUNT (SMD)

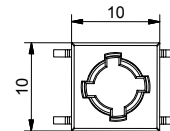
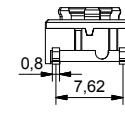
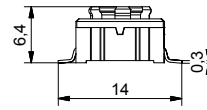
5G



5G illuminated

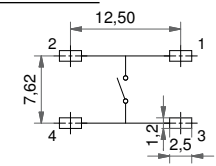


5E

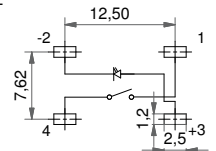


PCB LAYOUT

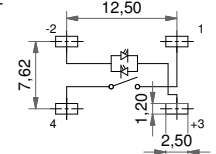
Non-illuminated



1 LED



2 LED

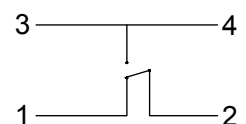


NORMALLY CLOSED/NORMALLY OPEN FUNCTION

NOT FOR SALE IN JAPAN

CIRCUIT DIAGRAM

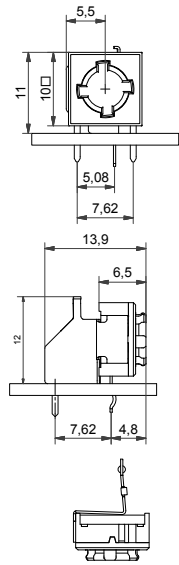
- Available for 5E and non-illuminated 5G in all standard actuation forces.
- Same PCB layout as the NO 5E and 5G
- Housing colour is **grey**



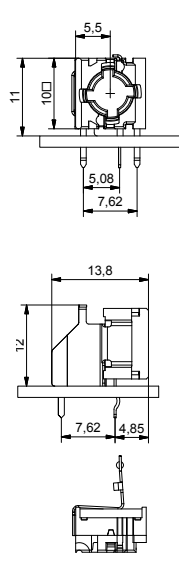
RIGHT ANGLE SWITCHES

PCB LAYOUT

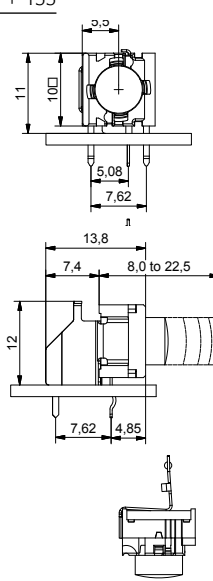
5E



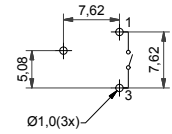
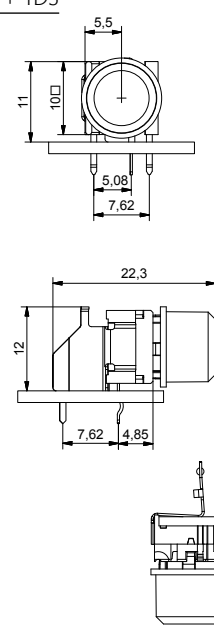
5G



5G + 1SS



5G + 1DS



multimec® 5 series has only normally open (NO) non-illuminated right angle switch.

ILLUMINATED – HOW TO ORDER

Switch	Mounting	Actuation force	LED	Quiet (optional)
5 G	<input type="checkbox"/> <input type="checkbox"/> <input type="checkbox"/>	<input type="checkbox"/> <input type="checkbox"/> <input type="checkbox"/>	<input type="checkbox"/> <input type="checkbox"/> <input type="checkbox"/>	<input type="checkbox"/>
	TH9 through-hole SH9 surface mount	20 35 65	01 blue 22 green 42 yellow 61 white 82 red 2242 green/yellow 8222 red/green 8242 red/yellow	Q only for 2.0N

NON-ILLUMINATED – HOW TO ORDER

Switch	Mounting	Actuation force	RAS (optional)	NC/NO (optional)
5 E	<input type="checkbox"/> <input type="checkbox"/> <input type="checkbox"/>	<input type="checkbox"/> <input type="checkbox"/> <input type="checkbox"/>	<input type="checkbox"/> <input type="checkbox"/> <input type="checkbox"/>	<input type="checkbox"/> <input type="checkbox"/> <input type="checkbox"/> <input type="checkbox"/>
	TH9 through-hole SH9 surface mount	20 20Q 35 65	RAS right angle switch	NCNO normally closed/ normally open function

Switch	Mounting	Actuation force	RAS (optional)	NC/NO (optional)
5 G	<input type="checkbox"/> <input type="checkbox"/> <input type="checkbox"/>	<input type="checkbox"/> <input type="checkbox"/> <input type="checkbox"/>	<input type="checkbox"/> <input type="checkbox"/> <input type="checkbox"/>	<input type="checkbox"/> <input type="checkbox"/> <input type="checkbox"/> <input type="checkbox"/>
	TH9 through-hole SH9 surface mount	20 20Q 35 65	RAS right angle switch	NCNO normally closed/ normally open function

Ordering example: 5ESH935 (non-illuminated), 5GTH9658222 (illuminated), 5GSH935NCNO (normally closed/normally open); 5ETH920RAS (right angle) 5ETH920Q or 5GSH92061Q (quiet versions)

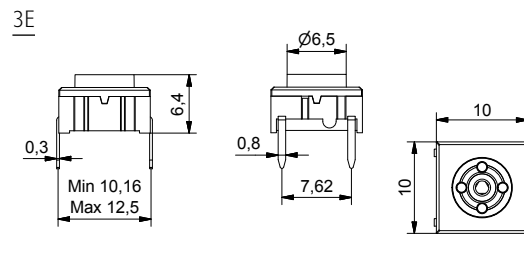
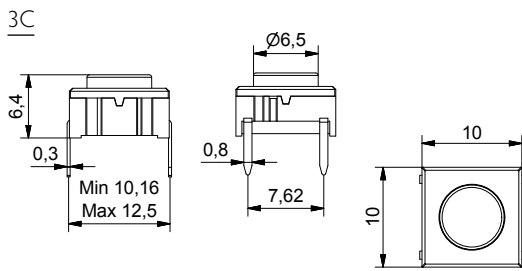
Please see colour codes, updates of products and changes of specifications on www.mec.dk



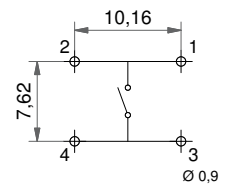
- Through-hole (TH) or surface mount (SMD)
- 50mA/24VDC
- Single pole/momentary
- 10,000,000 operations lifetime
- Temperature range:
 - High temp: -40/+160C
- IP 67 sealing
- Actuation force: 3.5N

All dimensions in mm

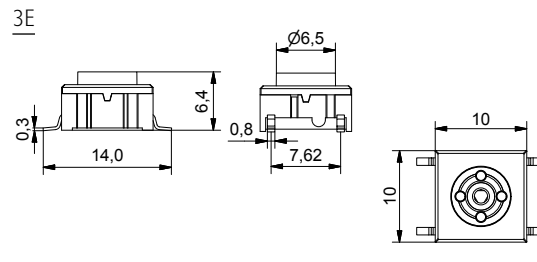
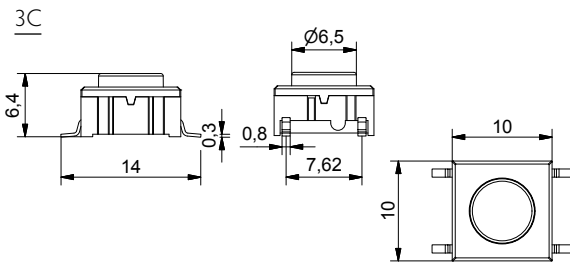
THROUGH-HOLE (TH)



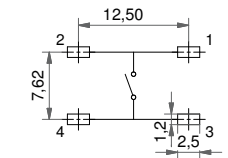
PCB LAYOUT



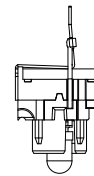
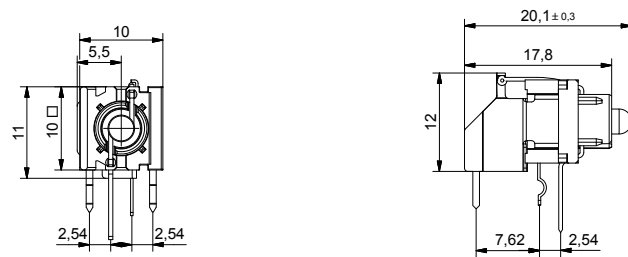
SURFACE MOUNT (SMD)



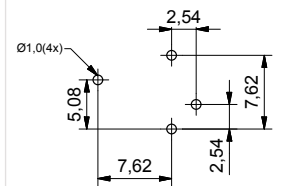
PCB LAYOUT



3FTL6RAS W/LED



PCB LAYOUT



HOW TO ORDER

Switch	Mounting	Temperature range	Switch	Mounting	Temperature range
3 C	<input type="checkbox"/>	H 9	3 E	<input type="checkbox"/>	H 9
	T through-hole S surface mount	H9 high temp.		T through-hole S surface mount	H9 high temp.

Switch	LED	Right angle support
3 F T H 9	<input type="checkbox"/>	R A S
through-hole high temp	00 blue 20 green 40 yellow	60 white 80 red 2040 green/yellow
	8020 red/green 8040 red/yellow	3FTH9RAS with LED can be used with the 3 series keycaps: 1D, 1E, 1F, 1K, 1N, 1Q, 1R, 1S, 1T, 1U, 1V, 1WA, 1WD, 1WP, 1X. Ask further information on caps from MEC.

Ordering example: 3CTH9, 3ESH9, 3FTH9RAS Please see colour codes, updates of products and changes of specifications on www.mec.dk

Tape & Reel

Tape and reel is available for the parts listed and has the following specifications:

Reel diameter:	Ø330mm	Tape and reel material:	antistatic or better
Tape width:	24mm	Quantity per reel:	see list
Pitch:	see list		

3C/3E/5E/5G multimec® tape & reel

Part No.	Ordering Code	Pitch	Quantity per reel
3CSH9	3CSH9R	16	500
3ESH9	3ESH9R	16	500
5ESH9XX	5ESH9XXR	16	500
5GSH9XX	5GSH9XXR	16	500
5XSH9XX1SSXX-08.0	5XSH9XXR1SSXX-08.0	20	250
5XSH9XX1SSXX-09.5	5XSH9XXR1SSXX-09.5	20	250
5XSH9XX1SSXX-10.4	5XSH9XXR1SSXX-10.4	20	250
5XSH9XX1SSXX-11.0	5XSH9XXR1SSXX-11.0	20	250
5XSH9XX1SSXX-12.0	5XSH9XXR1SSXX-12.0	20	250
All varimec h <12.5; add R after part no.			20 250

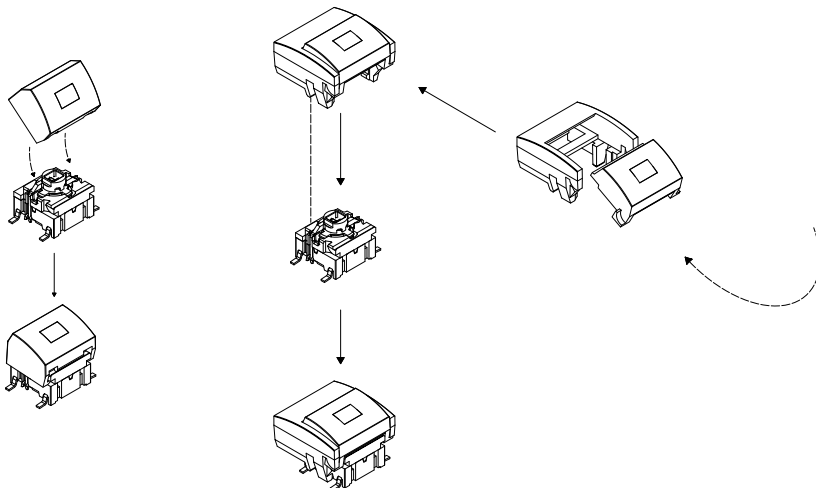
illuminated 5G multimec® tape & reel

Part No.	Ordering Code	Pitch	Quantity per reel
5GSH9XX01	5GSH9XX01R	20	250
5GSH9XX22	5GSH9XX22R	20	250
5GSH9XX42	5GSH9XX42R	20	250
5GSH9XX61	5GSH9XX61R	20	250
5GSH9XX82	5GSH9XX82R	20	250
5GSH9XX2242	5GSH9XX2242R	20	250
5GSH9XX8222	5GSH9XX8222R	20	250
5GSH9XX8242	5GSH9XX8242R	20	250

How to assemble

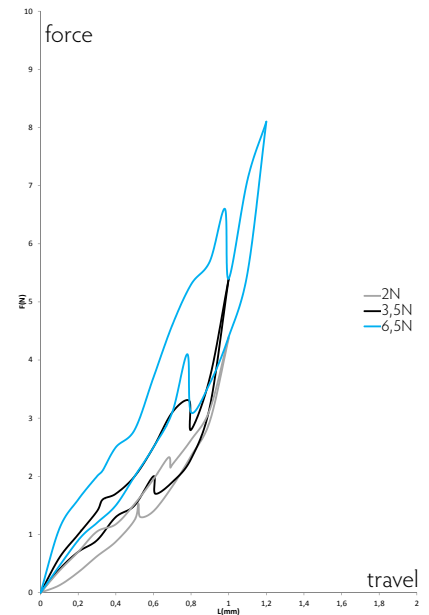
multimec®
5GS+1A/H

multimec®
5GS+1B/C+2C/D

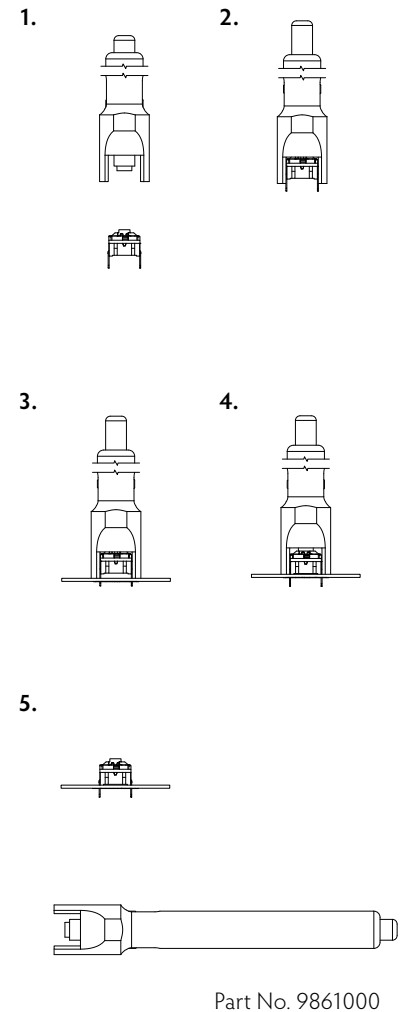


Operating force

(typical example)

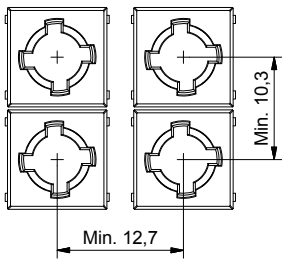


Mounting tool for multimec® through-hole switches

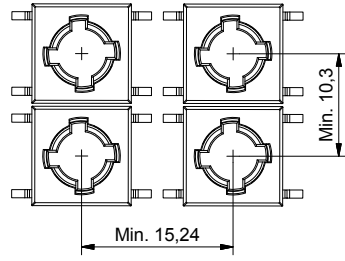


Basic switch spacing

through-hole (TH)

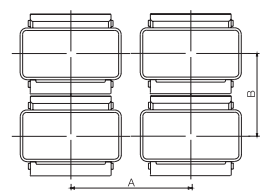


surface mount (SMD)

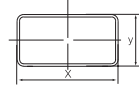


Recommended switch/cap spacing

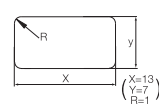
Switch spacing



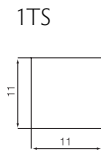
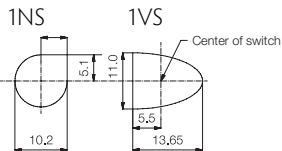
Cap dimensions



Panel cut-out

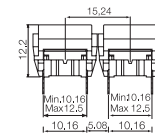


Panel cut-out

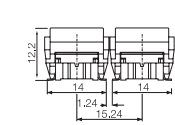


Spacing examples

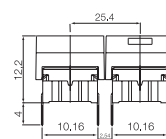
multimec
5GT+1B/C+2C/D



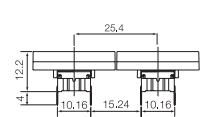
multimec
5GS+1B/C+2C/D



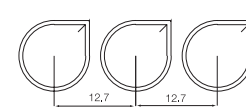
multimec
5GT + 1A/H



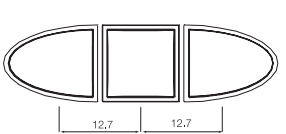
multimec
5GT + 1M



multimec
1NS + 1NS + 1NS

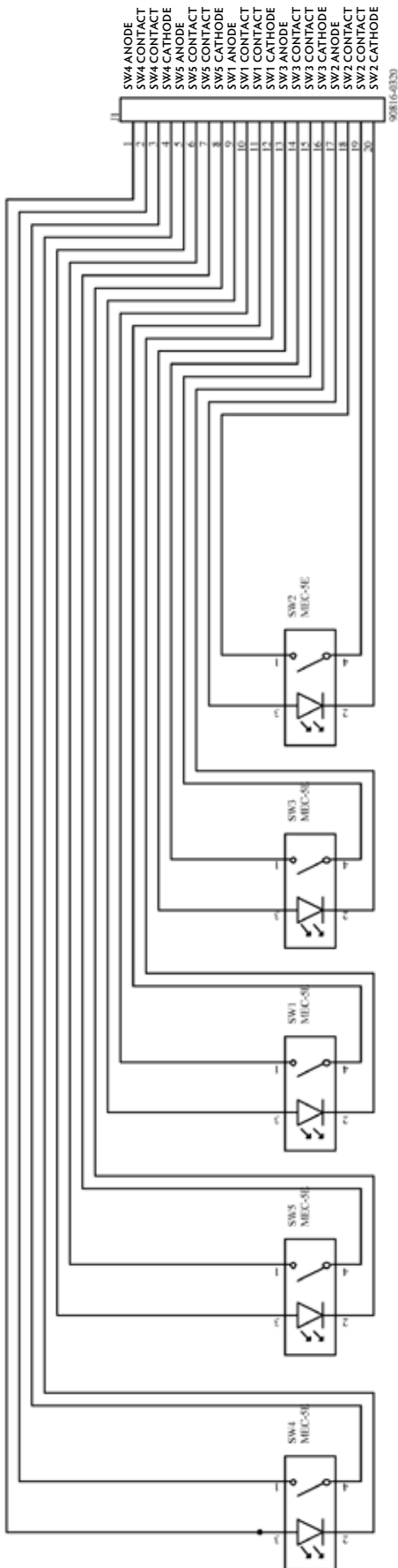


multimec
1VS + 1TS+ 1VS

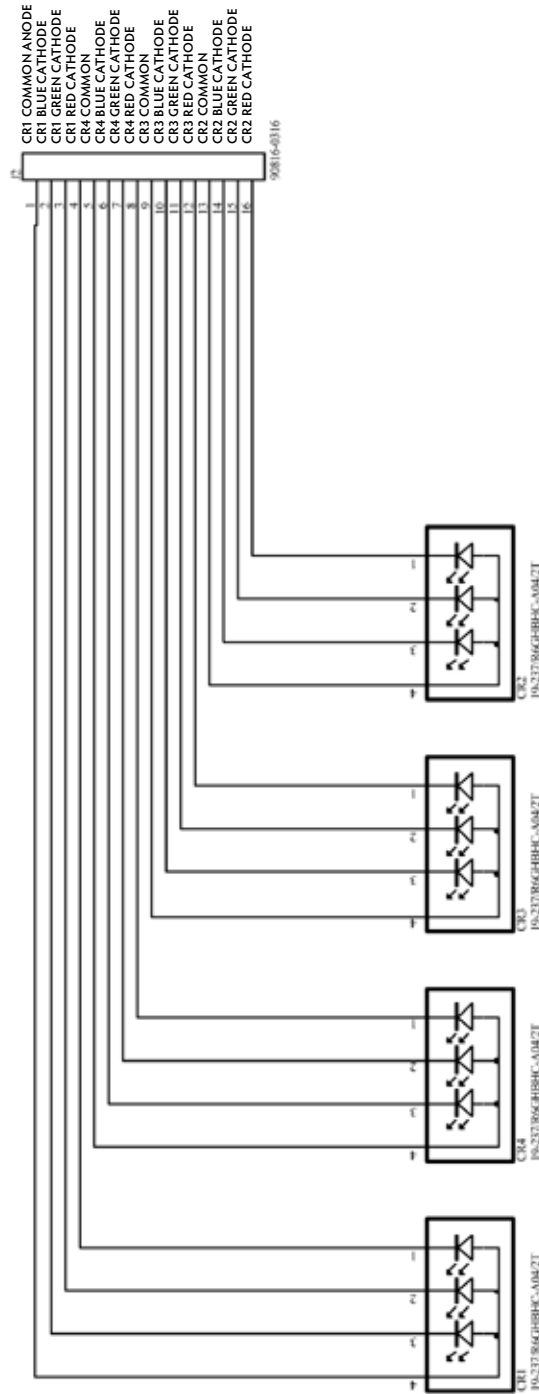


Cap series	Recommended min. switch spacing AxB	Nominal cap dimension WxH	Recommended min. panel cut-out
1A/1H	12.7x10.16	12.6x10.1	13.0x10.5
1B/1C+2C/2D	15.24x15.24	15.1x15.1	15.5x15.5
1DS/1ES/1FS	12.7x12.7	ø9.6	ø10.0
1GAS	12.7x11.14	ø11	ø11.4
1GCS	15.14x15.14	ø15	ø15.4
1JS	12.7x12.7	ø9.6	ø10.4
1KS/1KBS/1KCS	15.24x15.24	14.3x14.3	14.7x14.7
1M	25.4x10.16	25.0x10.	25.7x10.5
1NS	12.7x12.7	ø9.8/□4.9	ø10.2/□5.1
1PS/1QS/1RS	15.24x10.16	6.5x12.5	7.0x13.0, R max. 1.0
1SS/1IS/1LS	12.7x12.7	ø6.5	ø7.0
1TS	12.7x12.7	10.6x10.6	11.0x11.0
1US	12.7x12.7	ø10.6	ø11.0
1VS	12.7x12.7	10.6x13.25	11.0x13.65
1WAS/1WPS	12.7x10.3	12.5x6.5	12.9x6.9
1WDS	15.34x10.3	15.2x8.0	15.6x8.4
1XS	12.7x12.7	9.4x7.4	9.8x7.9
1YS	17x17	15x15	16x16
1ZA	18.84x10.3	18.7x10.1	19.4x10.5
1ZB	24.34x12.1	R1=7.4; R2=17.5 90°	R1=7.1; R2=17.5-17.75 90°
1ZCS	14.44x14.44	ø14.3	ø14.7
1Z/1ZW	35.5x35.5; 41.6x41.6	ø29.5	ø30.3
10R/10RF/10RM	40.5x40.5	ø30.0	ø30.6
10Q/10QM	32.5x32.5	22x22	22.5x2.5

Circuit diagram for switches



Circuit diagram for additional LEDs for controlmec™



Connectors on the module are Molex picoflex series 90816-0320 for switches and 90816-0316 for additional LEDs.

We recommend using:

Cable socket: 90327-0320 for switches and 90327-0316 for additional LEDs

RoHS Compatible

	HIGH TEMPERATURE VERSIONS		
	SILVER	GOLD	NC/NO
ELECTRICAL SPECIFICATIONS			
Contact resistance	<30m Ω - typ. 10m Ω		
Insulation resistance	>10M Ω		
Recommended load	0.5-50mA 24VDC	0.5μ-50mA 24VDC	
Contact bounce	<2mS - typically 0.5mS		
MECHANICAL SPECIFICATIONS			
Standard actuation force (switch)	2.0N, 3.5N, 6.5 N		
Max. Actuation force without cap	100N for 10 sec		
Key travel (switch)	1 mm		
Life time (switch)	>10,000,000 cycles		>1,000,000 cycles
TEMPERATURE RANGE			
Working temperature	Min -40°C Max +160°C		
Storage temperature	Min -40°C Max +160°C		
5G with LED (working & storage temp)	Min -30°C Max +85°C		
Soldering (through-hole switch)	IEC 68-2-20 8:		
	Infrared, vapour phase, wave - max 240°C for max 40 sec or max 260°C for max 30 sec.		
	Soldering iron - max 350°C for max 3 sec.		
	Flux tight.		
SOLDERING (SMD)	JEDEC J-STD-020C		
ENVIRONMENTAL ENDURANCE IEC 68-2-3			
Temperature	+40°C		
Humidity	93% RH		
Duration	56 Days		
TEMPERATURE CYCLING IEC 68-2-14			
Temperature limit	Min -55°C - Max +85°C		
Number of cycles	200		
Exposure time at each temperature	10 min		
Recovery time before measurements	16 hrs		
Sealing IEC 529	IP-67		
Cleaning	Standard methods - see usage guidelines		
MATERIAL SPECIFICATIONS - SWITCHES			
Housing	PPS UL94V0		
Actuator	PPS UL94V0		
Sealing + spring	Silicone rubber		
Contact spring	Stainless steel		Stainless steel
	+ 3μAg		+ 1μAu
Fixed contacts	SnCu + 2μNI + 3μAg		SnCu + 2μNI + 1μAu
Terminals	SnCu + 2μNI + 3μSn100		

Caps, Bezels & Legends – Material Specifications

MATERIAL	PARTS	TEMP. LIMIT	UL RATING
ABS	1A, 1B, 1C, 1DS, 1ES, 1FS, 1H, 1JS, 1KS, 1LS, 1M, 1NS, 1PS, 1QS, 1RS, 1TS, 1US, 1VS, 1WAS, 1WDS, 1WPS, 1XS, 1Z, 1ZA, 1ZB, 1ZCS, 1ZW, 2C, 2D, 2K, reflectors for 1KBS/1KCS and 1YS	Max. 65°C	UL94HB
Polycarbonate	All lenses (exc. frosted white) and transparent colour caps, lids for 1KBS/1KCS	Max. 85°C	UL94V1
Polycarbonate	Frosted white (16) caps and lenses	Max. 85°C	UL94HB
PPS	1GAS/1GCS	Max. 160°C	UL94V0
Polyamide	1SS, 2SS(the extender has no UL rating)	Max. 160°C	UL94V0
Legends Adhesion	DS/EN ISO 2409 Class 1 & ASTM D3359 Class 4B		

RoHS Compatible

		HIGH TEMPERATURE VERSIONS	
		SILVER	GOLD
ELECTRICAL SPECIFICATIONS			
Contact resistance	<30m Ω - typ. 10m Ω		
Insulation resistance	>10M Ω		
Recommended load	0.5-50mA 24VDC	0.5μ-50mA 24VDC	
Contact bounce	<2mS - typically 0.5mS		
MECHANICAL SPECIFICATIONS			
Standard actuation force (switch)	3.5N typ		
Max. Actuation force without cap	100N for 10 sec		
Key travel (switch)	1 mm		
Life time (switch)	>10,000,000		
Temperature Range			
Working temperature	Min -40°C Max +160°C		
Storage temperature	Min -40°C Max +160°C		
Soldering IEC 68-2-20	Infrared, vapour phase, wave - max 240°C for max 40 sec or max 260°C for max 30 sec. Soldering iron - max 350°C for max 3 sec. Flux tight.		
ENVIRONMENTAL ENDURANCE IEC 68-2-3			
Temperature	+40°C		
Humidity	93% RH		
Duration	56 Days		
TEMPERATURE CYCLING IEC 68-2-14			
Temperature limit	Min -55°C - Max +85°C		
Number of cycles	200		
Exposure time at each temperature	10 min		
Recovery time before measurements	16 hrs		
Sealing IEC 529	IP-67		
Cleaning	Standard methods - see usage guidelines		
MATERIAL SPECIFICATIONS - SWITCHES			
Housing	PPS UL94V0		
Actuator	PPS UL94V0		
Sealing + spring	Silicone rubber		
Contact spring	Stainless steel	Stainless steel	
	+ 3μAg	+ 1μAu	
Fixed contacts	SnCu + 2μNI + 3μAg	SnCu + 2μNI + 1μAu	
Terminals	SnCu + 2μNI + 3μSn100		

Caps – Material Specifications

MATERIAL	PARTS	TEMP. LIMIT	UL RATING
Polyamide	Actuators for varimec™	Max 160°C	UL94V0

LEDs specifications

5G switches

Colour		Blue	Green	Yellow	White	Red	High Intensity Green	
Colour Codes		01	22	42	61	82	29	
ABSOLUTE MAXIMUM RATINGS (Ta=25°C)								
Power	mW	60	65	65	48	65	102.5	
Current forward	mA	20	25	25	15	25	25	
Forward peak current	mA	150	150	100	100	100	150	
Voltage reverse	V	5	12	12	5	12	5	
Operating temperature	°C	-30/+85					-40/+85	
Storage temperature	°C	-30/+85					-40/+85	
Soldering temperature	°C	245 for max. 10 sec						
ELECTRICAL-OPTICAL CHARACTERISTICS (Ta=25°C)								
Voltage forward	Typ. V	3.35	2.2	2	3.05	2	3.3	
	Max. V	3.5	2.5	2.5	3.2	2.5	4.1	
Current reverse (VR=5V)	µA	0.01	0.02	0.01	0.01	0.01	50	
Wave length	nm	470	570	588	NA	633	525	
Spread	Δnm	NA	30	16	NA	16	30	
Spread angle	degree	145	160	160	150	160	60	
Luminous Intensity	Min. mcd	30	28	112	71	112	500	
	Typ. mcd	35	70	150	224*	150	1000	
Optical intensity	Lm/w	4	2.5				NA	

*Max.mcd

3F switches

3FXXX (for 1E-1F-1N-1Q-1R-1S-1X)

3FXXX (for 1K-1T-1U-1V-1W-1WD)

Colour		B	G	Y	W	R	G/Y	R/G	R/Y	G	Y	R
Colour Codes		00	20	40	65	80	2040	8020	8040	24	46	87
Absolute Maximum Ratings	(Ta=25°C)											
Power	mW	105	70	60	120	60	120	100	120	60	60	120
Current forward	mA	30	20	20	25	20	25	30	25	25	25	50
Forward peak current	mA	200	60**	60**	100	60**	150	120	150	60	60	200
Voltage reverse	V	5	3	3	5	3	5	5	5	5	5	5
Operating temperature	°C	-25/+85			-40/+85	-25/+85	-40/+85	-55/+100	-40/+85	-40/+85	-40/+85	-40/+85
Storage temperature	°C	-30/+100			-40/+100	-30/+100	-40/+85	-55/+100	-40/+85	-40/+85	-40/+100	-40/+100
Soldering temperature	°C	260 for max 5 sec					260 for max 2 sec			300 for max 3 sec	260 for max 5 sec	
Electrical-Optical Characteristics (Ta=25°C)												
Voltage forward	Typ. V	2.1	2.1	2.1	3.8	2.0	2.1	2.0	2.1	2.0*	2.0	2.0***
	Max. V	2.8	3.0	3.0	4.3	3.0	2.8	2.6	2.8	2.4*	2.4	2.4***
Current reverse (VR=5V)	µA	2	10	10	50	10	2	2	2	10	10	10
Wave length	nm	460	563	585	NA	650	565/590	630/565	625/590	570	589	624/632
Spread	Δnm	40	40	40	NA	40	35	35	35	10	NA	20
Spread angle	degree	20	45	45	25	45	60	200	60	100	40	40
Luminous Intensity	Min. mcd	20	9.0	5.6	630	5.6	8	2.2	8	70****	630	400****
	Typ. mcd	25	25	16	1000	16	25	4.8	25	20****	1250	800****
Orientation	The longer pin is the anode, the shorter is the cathode. For bicolour LEDs the anode for the first colour (ex. 2080) is the longer pin.											

Pulse width 1ms Duty cycle 1:5, */F =50mA, **** Luminous Flux mlm

B=Blue, G=Green, Y=Yellow, R=Red, W=White

Specifications are subject to change without notice.

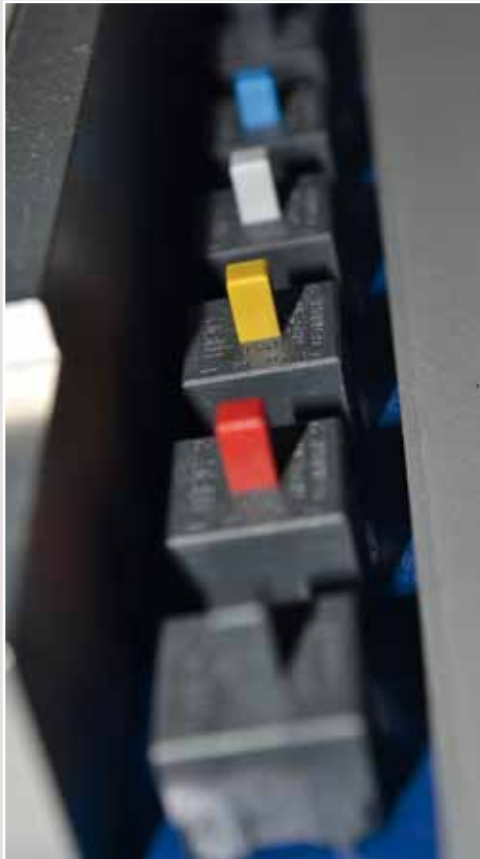
Specifications are subject to change without notice.

For product updates and/or changes of specifications please see www.mec.dk

2 POLE SWITCH

MOMENTARY AND LATCHING FUNCTION

ADJUSTABLE TO MULTIMEC® CAP RANGE



unimec™ product range has high temperature switches with square- or rectangular-shaped cap solutions.

unimec™ switches have 8 contact function options making it very flexible and suitable for any application.

Redundancy coming from the number of poles makes it an excellent choice where safety is a concern.

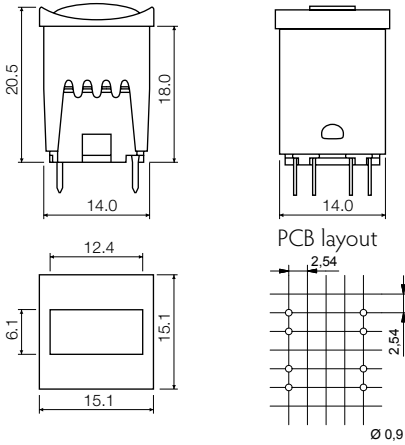


- Square solution
- 15.1mm x 15.1mm
- h=20.5 mm
- Material: ABS
- Temp. Range: -40/+65°C

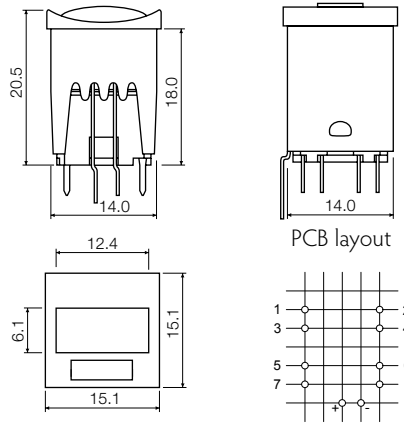
All dimensions in mm

DIMENSIONS

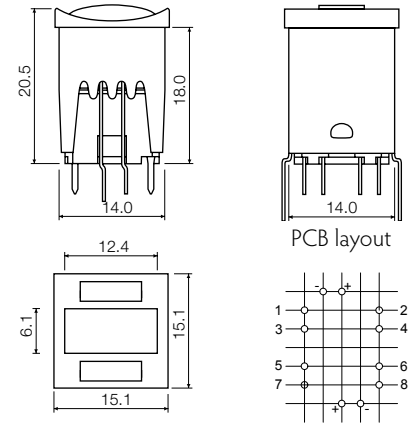
(TH) + 16324




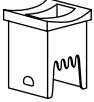

(TH w/LED) + 16325



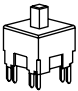


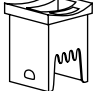



(TH 2 w/LED) + 16326



NON-ILLUMINATED - HOW TO ORDER

Switch		Extender		Cap		Bezel	
1 5 4	+	1 6 2 7 0	+	1 6 3 0 0	+	1 6 3 2 4	
15401 mom. silver				00 blue	07 orange	33 tele grey	01 brown
15402 mom. gold				01 brown	08 red	34 melon	03 grey
15420 silent gold				02 green	09 black	38 noble red	06 white
15451 lat. silver				03 grey	30 ultra blue	50 metal dark blue	09 black
15452 lat. gold				04 yellow	40 dusty blue	53 metal light grey	
				05 golden	42 aqua blue	57 metal dark grey	
				06 white	32 mint green	58 metal bordeaux	
							

ILLUMINATED - HOW TO ORDER

Switch		Extender		Cap		Bezel		Lens		LED
1 5 4	+	1 6 2 7 0	+	1 6 3 0 0	+		+	1 6 3 2 7	+	1 6 9 2 2
						16325		02 green		02 green
								04 yellow		04 yellow
						16326		08 red		08 red
								Lens 16327		LED 16922
								2 required		2 required
										

Ordering example: 15451+16270+1630030+1632403 (non-illuminated) OR 15401+16270+1630008+1632509+1632708+1692208 (illuminated)
Please see colour codes, updates of products and changes of specifications on www.mec.dk

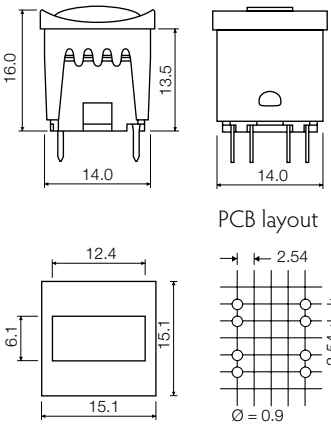
- Square solution
- 15.1mm x 15.1mm
- h=16.0 mm
- Material: ABS
- Temp. Range: -40/+65°C



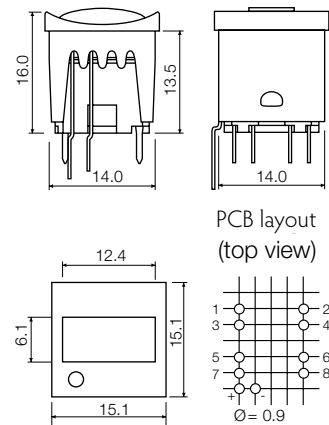
All dimensions in mm

DIMENSIONS

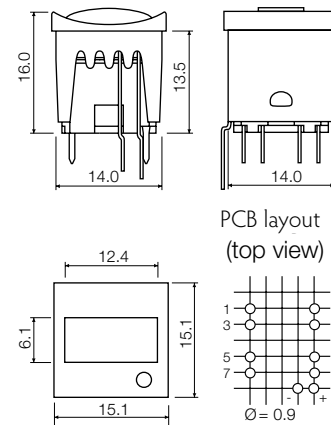
(TH) + 16310



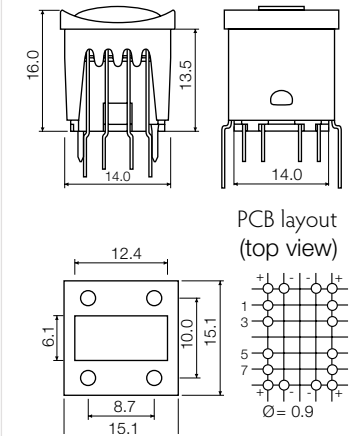
(TH w/LED) + 16311



(TH w/LED) + 16312



(TH w/4 LED) + 16315



NON-ILLUMINATED- HOW TO ORDER

Switch

1 5 4

- 15401 mom. silver
- 15402 mom. gold.
- 15420 silent gold
- 15451 lat. silver
- 15452 lat. gold

+

Cap

1 6 3 0 0

- 00 blue
- 01 brown
- 02 green
- 03 grey
- 04 yellow
- 05 golden
- 06 white
- 07 orange
- 08 red
- 09 black

+

Bezel

1 6 3 1 0

- 01 brown
- 03 grey
- 06 white
- 09 black

For 16300 and 16310 only

- 30 ultra blue
- 40 dusty blue
- 42 aqua blue
- 32 mint green
- 33 tele grey
- 34 melon
- 38 noble red
- 50 metal dark blue
- 53 metal light grey
- 57 metal dark grey
- 58 metal bordeaux

ILLUMINATED - HOW TO ORDER

Switch

1 5 4



+

Cap

1 6 3 0 0



+

Bezel

16311



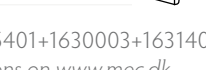
16312



16314



16315



+

LED

1 6 9 2 1

- 02 green
- 04 yellow
- 08 red

+

1 6 9 2 0

- 02 green
- 04 yellow
- 08 red

+

- LED 16920 1 required
- LED 16921 1 required

+

- LED 16920 2 required
- LED 16921 2 required



Ordering example: 15400+1630001+1631001 (non-illuminated) OR 15401+1630003+1631408+1692008+1692108 (illuminated)

Please see colour codes, updates of products and changes of specifications on www.mec.dk

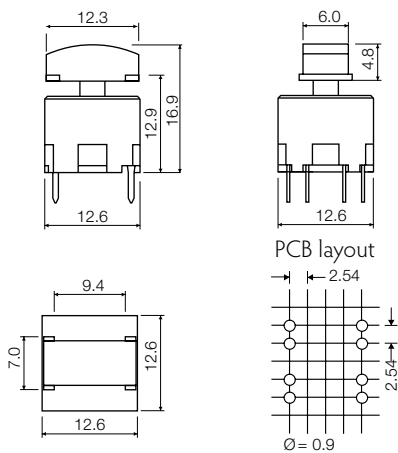


- Square and rectangular caps
- 6mm x 12.3mm; 14.9mm x 14.9mm; 15.1mm x 15.1mm
- h=16.9mm; 14.6mm; 14.5mm
- Material: ABS
- Temp. Range: -40/+65°C

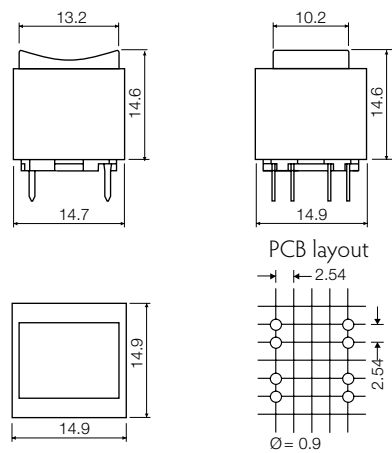
All dimensions in mm

DIMENSIONS

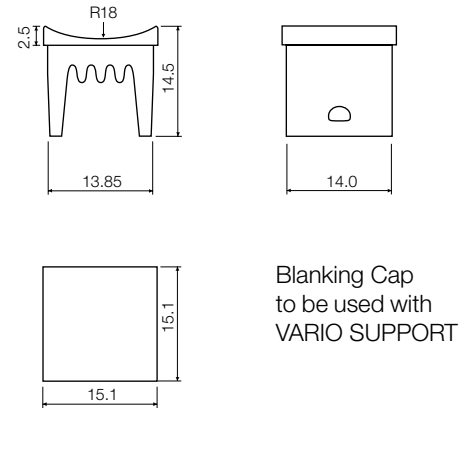
(TH) + 16300



(TH) + 16700



(TH) + 16800



Blanking Cap
to be used with
VARIO SUPPORT

NON-ILLUMINATED- HOW TO ORDER

Switch

1 5 4

- 15401 mom. silver
- 15402 mom. gold.
- 15420 silent gold
- 15451 lat. silver.
- 15452 lat. gold

Cap and color code

+ 1 6 3 0 0



- | | | |
|-----------|---------------|---------------------|
| 00 blue | 07 orange | 33 tele grey |
| 01 brown | 08 red | 34 melon |
| 02 green | 09 black | 38 noble red |
| 03 grey | 30 ultra blue | 50 metal dark blue |
| 04 yellow | 40 dusty blue | 53 metal light grey |
| 05 golden | 42 aqua blue | 57 metal dark grey |
| 06 white | 32 mint green | 58 metal bordeaux |

Switch

1 5



+ 1 6 7 0 0



- | | | |
|----------|-----------|----------|
| 00 blue | 04 yellow | 09 black |
| 02 green | 06 white | |
| 03 grey | 08 red | |

Cap

1 6 8 0 0



- | | | |
|-----------|-----------|-----------------------|
| 00 blue | 05 golden | 11 transparent |
| 01 brown | 06 white | 12 transparent green |
| 02 green | 07 orange | 14 transparent yellow |
| 03 grey | 08 red | 18 transparent red |
| 04 yellow | 09 black | |

Ordering example: 15451+1630001 OR 15401+1670008 OR 1680005
Please see colour codes, updates of products and changes of specifications on www.mec.dk



All standard legends are white on black caps.

The size of the legends listed may not correspond to the actual size. Please ask your local distributor, if you do not find what you need on the list. New legends may have been added after this catalogue was printed.

Custom legends and other colour combinations are available, please contact your local distributor.

Standard Keycap Legends

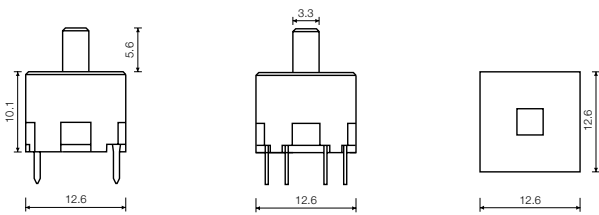
Part no.			Part no.			Part no.		
LEGEND	18_	18_	LEGEND	18_	18_	LEGEND	18_	18_
0	000	200	A	010	210	ON/OFF	017	217
1	001	201	B	011	211	STOP	018	218
2	002	202	C	012	212	START	031	231
3	003	203	D	013	213	CLEAR	036	236
4	004	204	E	014	214	LOAD	037	237
5	005	205	F	015	215	RESET	038	238
6	006	206	G	063	263	CR	043	243
7	007	207	H	064	264	MANUAL	044	244
8	008	208	I	065	265	END	047	247
9	009	209	J	066	266	CANCEL	048	248
10	020	220	K	067	267	CTRL	050	250
11	021	221	L	068	268	ESC	051	251
12	022	222	M	069	269	DSP	053	253
13	023	223	N	070	270	ENTER	105	305
14	024	224	P	072	272	SHIFT	106	306
15	025	225	S	075	275	ON	116	316
16	026	226	T	076	276	OFF	117	317
			U	077	277			
			V	078	278			
			W	079	279			
			#	107	207			
			*	019	219			
			☐	016	216			
			→	033	233			
			←	133	233			
			↑	034	234			
			↓	134	234			
			↶	135	235			
			↷	115	215			
			↔	041	241			
			+	054	254			
			-	059	259			
			•	056	256			
			:	055	255			



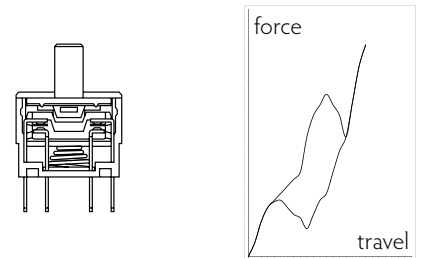
- Max. 250mA/120V/9W AC/6W DC
- 2 pole
- Momentary or latching
- 8 contact functions
- Temperature range:
High temp: -40/+160°C
- Through-hole version (TH)

All dimensions in mm

DIMENSIONS THROUGH-HOLE



OPERATING FORCE (TYPICAL EXAMPLE)

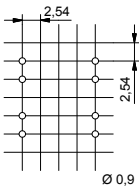


PCB MOUNTING HOLE DIMENSIONS

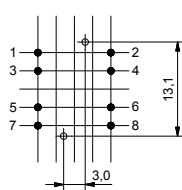
FUNCTIONAL DIAGRAM

CIRCUIT DIAGRAM

Basic switch

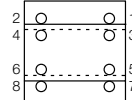


w/Extender 16250

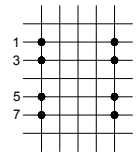


With LED

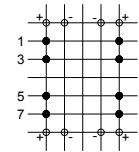
16923 and 16924



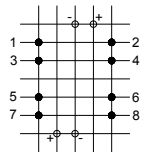
— up
-- down



Without LED



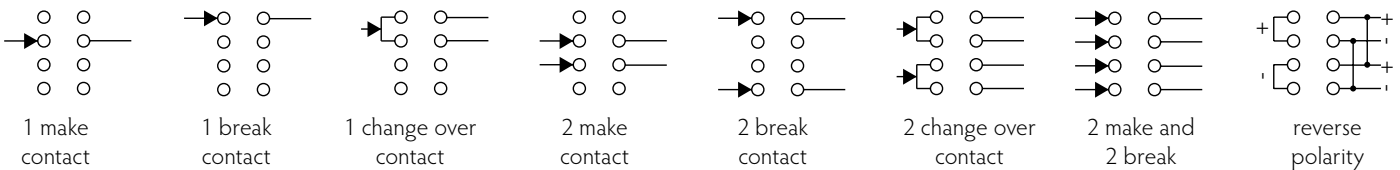
With round LED
16920 and 16921



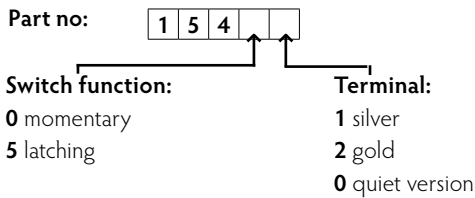
With rect. LED
16922

WIRING DIAGRAM

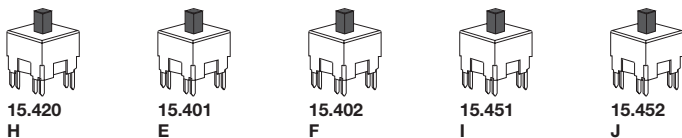
Select the contact function you require - and design your PC board accordingly



HOW TO ORDER



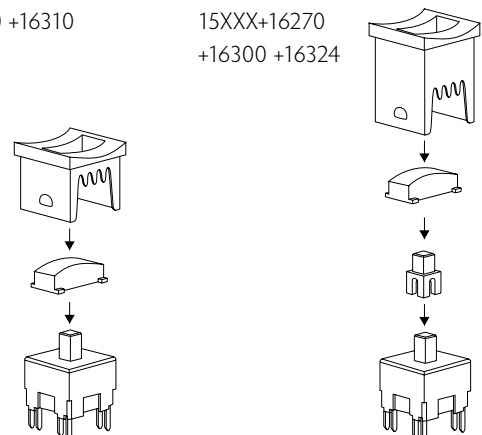
High temp.



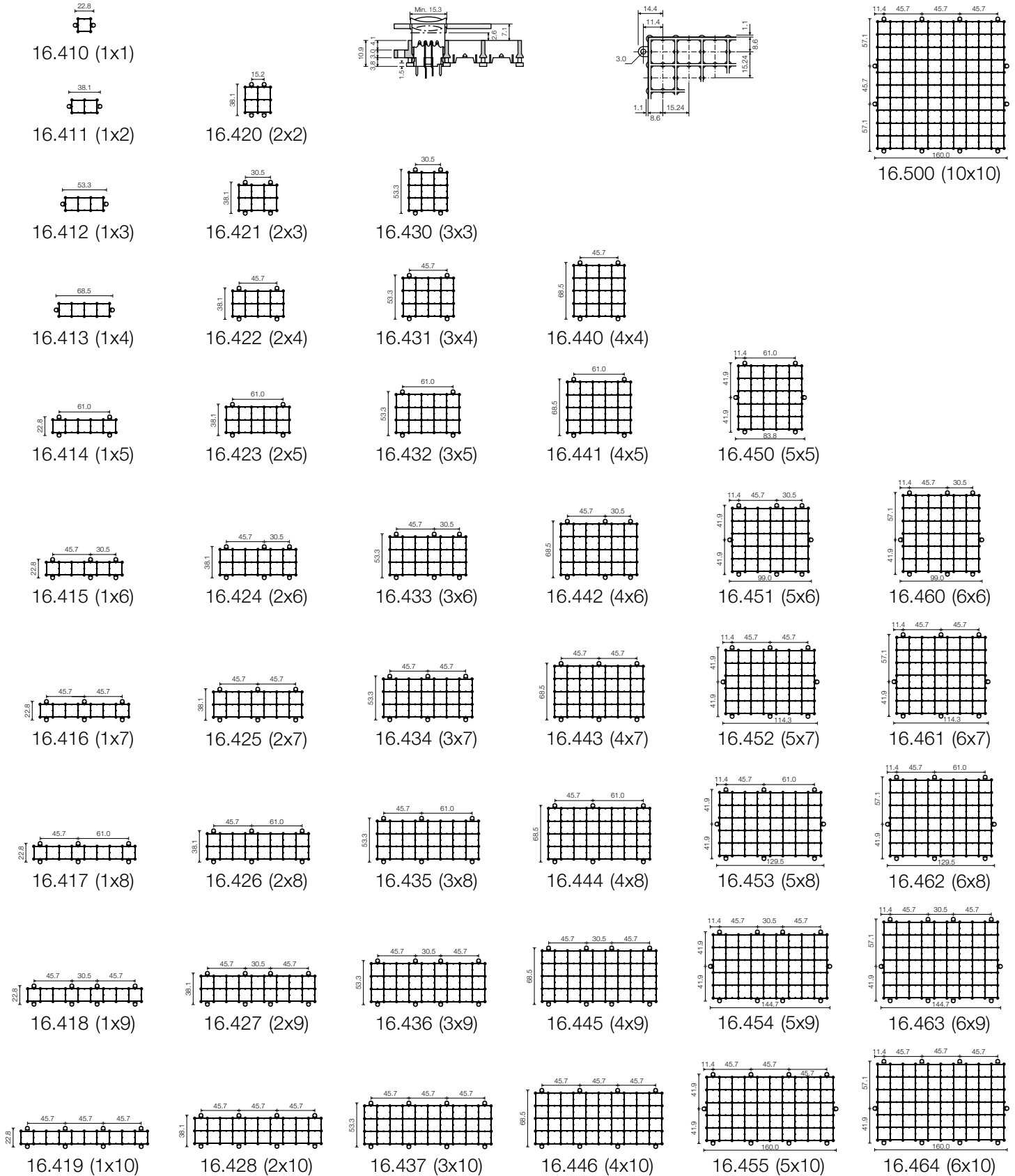
HOW TO ASSEMBLE

unimec™
15XXX+16300 +16310



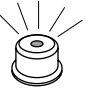
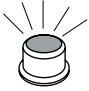


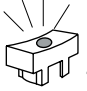
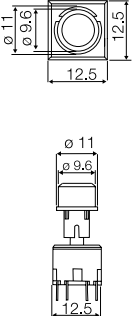
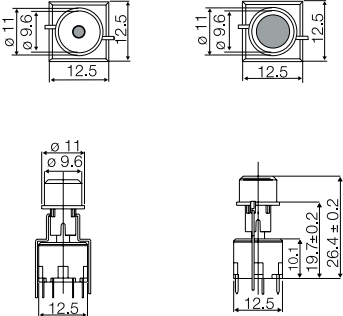
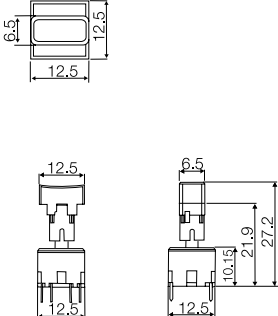
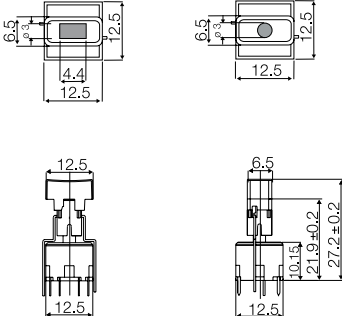



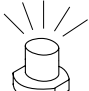
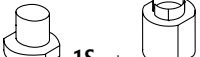


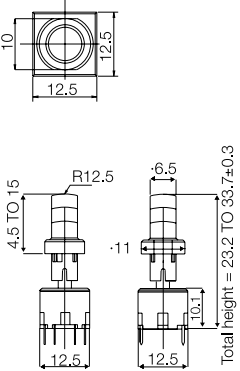
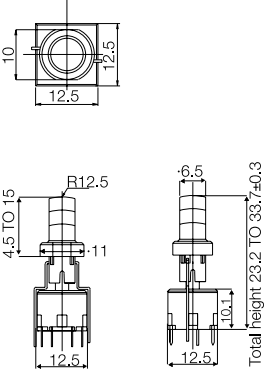
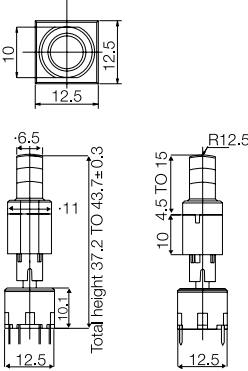
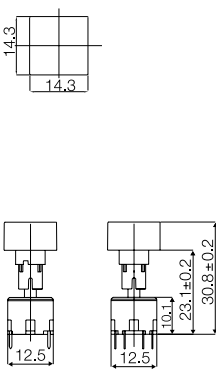



unimec™
15XXX+16270
+16300 +16324



For all types of unimec™ switches with bezels - 16310 - 16315 and 16324 - 16326



Selection guide

 A 16250 extender is needed when mounting multimec® on unimec™ switches			
Cap  1D	 1E  1F	 1P	 1Q  1R
Dimensions 			
LED	16923XX 00 blue  20 green 40 yellow 65 white 80 red		16923XX 00 blue  20 green 40 yellow 65 white 80 red
Cap  1S	 1S illuminated	 1S + 2S	 1K  1K illuminated
Dimensions 			
LED	16923XX 00 blue  20 green 40 yellow 65 white 80 red	16923XX 00 blue  20 green 40 yellow 65 white 80 red	16924XX  23 green 45 yellow 88 red

For specific dimensions, color codes, how to order and other information please refer to the pages with the keycaps on multimec® switches. For technical information on the unimec™ basic switches please see technical specifications or go to our website www.mec.dk where you will find a page for each option. The multimec® keycaps 1N, 1T, 1U, 1V, 1WA, 1WD, 1WP and 1X can also be used on unimec™ switches. Please ask for technical drawings on dimensions.

RoHS Compatible

		RA	
		High Temperature Versions	
		Silver	Gold
Electrical Specifications			
Contact resistance		Max. 100 m Ω (initially)	
Insulation resistance		>10 M Ω	
Recommended load		Min. 0.5 mA	Min. 0.5 μA
		Max. 250 mA – 120 V – 9W AC – 6W DC	
Max. Current in non switching state		0.5 A	
Contact bounce		Max. 10 ms	
Dielectric strength between adjacent contacts		1000 V for 2 min.	
Insulation resistance between adjacent contacts		5 X 10 ¹³ Ω	
Capacitance between adjacent contacts		0.5 pF	
Mechanical Specifications			
Standard actuation force (switch)		Typ 2.5N	
Max. Actuation force without cap		100N for 10 sec.	
Key travel (switch)		1.8 mm	
Lifetime	Momentary	>10.000.000 cycles	
	Latching	5.000.000 cycles	
Temperature range			
Working temperature		Min. -40°C Max. +160°C	
Storage temperature		Min. -65°C Max. +160°C	
Soldering IEC 68-2-20			
		Wave – max 260°C for max. 10 sec., please refer to usage guidelines	
		Soldering iron – max. 350°C for max. 3 sec. Flux tight.	
Environmental Endurance IEC 68-2-3			
Temperature		+40°C	
Humidity		93% RH	
Duration		56 days	
Sealing IEC 529		IP-54	
Cleaning		Standard methods such as water and soap (not immersed)	
Material Specifications – Switches			
Housing and actuator		LCP UL94V0	
Switch spring		Stainless steel	
Key spring		Stainless steel	
Latch pin		Stainless steel	
Fixed contact		SnCu+2μNi+3μAg	SnCu+2μNi+3μAu
Moving contact		Stainless steel +3μAg	Stainless steel +3μAg+1μAu
Terminals			
Contact lubricant		Special protective lubricant Klüber Barrierta I EL Fluid	
Material Specifications – All Caps & Bezels			
Temperature limit		Max. +65°C	
Tampon Printing			
		According to ISO Class: 1/ASTM Class:4B	

unimec™ LEDs

Part Nos.	16920/16921			16922			16923					16924			
	G	Y	R	G	Y	R	B	G	Y	W	R	G	Y	R	
Colour Codes (G=green, Y=yellow, R=red)	G	Y	R	G	Y	R	B	G	Y	W	R	G	Y	R	
Colour Codes	02	04	08	02	04	08	00	20	40	65	80	23	45	88	
Absolute Maximum Ratings (Ta=25°C)															
Power	mW	100	100	100	135	135	135	105	70	60	120	60	150	130	300
Current forward	mA	30	30	30	30	30	30	30	20	20	25	20	40	40	90
Forward peak current	mA	50	50	50	90	90	90	200	60**	60**	100	60**	500	500	1000
Voltage reverse	V	5	5	5	5	5	5	5	3	3	5	3	12	12	5
Operating temperature	°C	-25 - +100			-55 - +100			-25 - +85					-55 - +100		
Storage temperature	°C	-25 - +100			-55 - +100			-30 - +100					-55 - +100		
Soldering temperature	°C	+245 for max. 3 sec			+300 for max. 3 sec			+260 for max. 5 sec					+300 for max. 3 sec		
Electrical-Optical Characteristics (Ta=25°C)															
Voltage forward	Typ. V	2.0	2.0	2.0	2.1	2.2	2.3	2.1	2.1	2.1	3.8	2.0	2.1*	2.3***	2.4***
	Max. V	3.0	3.0	3.0	3.0	3.0	3.0	2.8	3.0	3.0	4.3	3.0	2.5*	2.5***	3.8***
Current reverse	μA	100	100	100	100	100	100	2	10	10	50	10	10	10	
Wave length	nm	560	590	660	565	585	635	460	563	585	NA	650	570	587	635
Spread	Ønm	10	10	10	10	10	10	40	40	40	NA	40	25	45	45
Spread angle	Degree	20	20	20	45	45	45	20	45	45	25	45	80	90	55
Luminous Intensity	Min. mcd	1	1	0.8	1.5	2.5	2.5	20	9.0	5.6	630	5.6	71****	71****	100****
	Typ. mcd	2	3	1.6	2.5	3.0	5.0	25	25	16	1000	16	112****	112****	160****
Orientation		The longer pin is the anode, the shorter is the cathode.													

*I_F=20mA, **Pulse width 1ms Duty cycle 1:5, ***I_F=50mA, ****Luminous Flux mlm

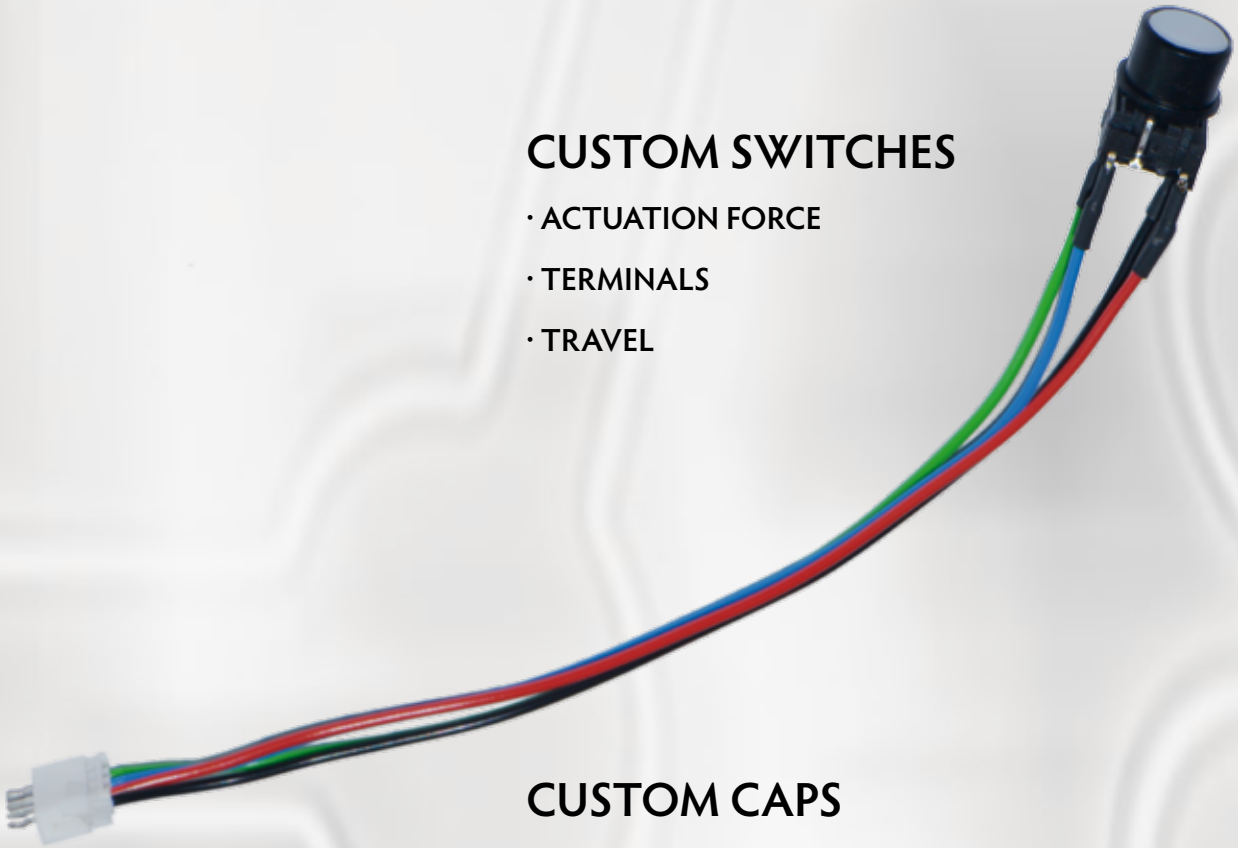
WE WELCOME ANY CUSTOM REQUIREMENT

The wide range of MEC standard products is well known world wide, but also many custom solutions have been created. Equipped with the latest CAD solutions with 3D facilities and optical simulation software our experienced MEC team can provide you custom designs from conception to completion. Our R&D engineers generate computer animated solutions, rapid prototypes and manage the whole industrialisation process.



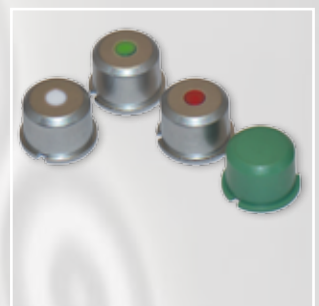
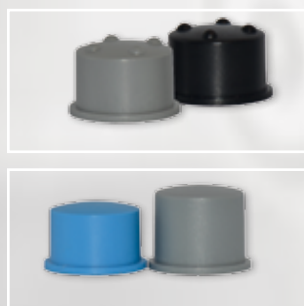
CUSTOM SWITCHES

- ACTUATION FORCE
- TERMINALS
- TRAVEL



CUSTOM CAPS

- DESIGN
- SHAPE
- SIZE
- COLOUR
- LEGENDS




















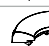





No.	00		02		03		04		06		08		09	
Colour	blue		green		grey		yellow		white		red		black	
RAL Code	5012		6018		7004		1023		9010		3000		9004	

No.	30		32		33		34		38		40		42	
Colour	ultra blue		mint green		tele grey		melon		noble red		dusty blue		aqua blue	
RAL Code	5002		6029		7046		1028		3002		5014		5021	

Metallic Colours

No.	50		53		57		58	
Colour	dark blue		light grey		dark grey		bordeaux	
RAL Code	No Ral Code		No Ral Code		No Ral Code		No Ral Code	

CAP CODE		00	02	03	04	06	08	09	30	32	33	34	38	40	42	50	53	57	58
1A		•	•	•	•	•	•	•	•	•	•	•	•	•	•	•	•	•	•
1B		•	•	•	•	•	•	•	•	•	•	•	•	•	•	•	•	•	•
1C		•	•	•	•	•	•	•											
1DS		•	•	•	•	•	•	•	•	•	•	•	•	•	•	•	•	•	•
1ES/1FS		•	•	•	•	•	•	•											
1GAS/1GCS		•	•	•	•	•	•	•											
1H		•	•	•	•	•	•	•											
1JS		•	•	•	•	•	•	•											
1KS		•	•	•	•	•	•	•											
1M		•	•	•	•	•	•	•											
1NS		•	•	•	•	•	•	•											
1PS/1QS/1RS		•	•	•	•	•	•	•											
1SS/1LS		•	•	•	•	•	•	•											
1TS		•	•	•	•	•	•	•											
1US		•	•	•	•	•	•	•											
1VS		•	•	•	•	•	•	•											
1WAS/1WDS/1WPS		•	•	•	•	•	•	•	•					•	•		•	•	
1XS		•	•	•	•	•	•	•	•	•	•	•	•	•	•	•	•	•	•
1ZA		•	•	•	•	•	•	•	•					•	•	•	•	•	•
1ZB		•	•	•	•	•	•	•	•					•	•	•	•	•	•
1ZCS		•	•	•	•	•	•	•	•					•	•	•	•	•	•
1Z/1ZW		•	•	•	•	•	•	•											
10R/10RF + 10Q		•	•	•	•	•	•	•											

Usage guidelines

How to get the best results with MEC Switches?

These guidelines are offered to users of MEC Switches as an aid to ensure successful and reliable switch operation.

Temperature

Both unimec™ and multimec® switches are produced in low and high temperature versions. Please see the technical specifications for details on operating and storage temperatures and soldering guidelines to make sure you select the best switch for your application. When wave soldering is taking place, MEC strongly recommend that the temperature profile is analysed and compared with the temperature rating of the switch. In case of doubt always select the high temperature versions unimec™ 154XX, and multimec® 5XXH9XX. It is also important to monitor the accumulated heat build up from both the pre-heat zones and the solder zone.

Most standard accessories for both unimec™ and multimec® switches are made from ABS plastic with a maximum operating temperature of 65°C. It is strongly recommended that accessories are mounted after soldering of the switch. If this is not possible care must be taken not to overheat the accessories during the soldering process. The 1SS, 1GAS/1GCS and Varimec™ caps are, however, made of high temperature materials and will meet the same temperature specifications as the high temperature switches.

For accessories made from other plastic materials please see multimec® and unimec™ technical specifications.

LEDs have their own temperature specifications. When fitted in a high temperature switch the LED will determine the max. operating temperature, i.e. 5GTH93524 has an upper temperature limit of 85°C! This also applies with 3F switches.

Mounting and Dismounting

If switches are to be mounted in rows it is essential that the recommendations regarding spacing are followed. PC board thickness should be 1.4±0.2 mm and terminal hole diameter should be 0.9mm.

All unimec™ and multimec® caps and bezels are easily snapped onto the switch modules and can be changed at a later time with the exception of the unimec 16.700 cap. The same applies to the 3E caps. Once these caps are installed they are not designed to be removed. To do so may cause damage to the switch and the PC board if not done very carefully. If the 16.300 or 16.700 cap must be removed from a unimec™ alternate action switch, make sure that the switch actuator is in the released, upper position before attempting to remove the cap. This will prevent possible damage to the internal latching pin.

Care must be taken when inserting the 3FT switch and LED assembly into the PC board. Do not press direct on the LED. This will force the LED down into the actuator and risks to cause the switch contacts to remain in the closed position. To correct the fault, the LED must be raised slightly and centered in the actuator to assure unrestricted movement of the actuator. A mounting tool is available for multimec® switches.

Soldering and Cleaning unimec™

Most assembly and field problems experienced by users of unsealed switches are caused by the contamination of the contacts during soldering and cleaning.

Contact contamination may be recognised by an increase in contact resistance and possible intermittent operation of the switch, especially in low power applications. Care must be taken not to submerge the switch in cleaning agents or spray the switch during cleaning. The switch must be protected at all times to prevent contamination by flux or cleaning liquids.

For unimec™ alternate versions we recommend to leave the actuator in the released upper position during soldering. This makes the switch more resistant to overheating.

Soldering and Cleaning multimec®

multimec® switches are fully sealed to IP67 specifications to prevent solder flux and aqueous or solvent based cleaning solutions from entering the switch and contaminating the contacts. The switches can be placed on the PC board with other components and wave soldered. multimec® offers a high level of sealing, however, with aqueous solvent solutions care must be taken to avoid the worst case situation with water jets, complete immersion into a liquid with a temperature below the board or surface tension reducing additives.

Recommended cleaning methods are demineralized water. Any surface tension reducing agents, such as soap, must not be used as they risk causing a potential leakage of the switch.

Soldering - Through Hole Versions

Hand soldering: Max. 350°C for max. 3 sec., this applies for both low temperature and high temperature versions.

Wave soldering: heat built up in the switch during pre-heating and soldering must not exceed the maximum operating temperature of the switch. If, for some reason, a high pre-heating temperature is required, MEC recommend the high temperature switches. In any case peak temperature must not exceed 260°C, and soldering time is max 10 sec.

Soldering - Surface Mount Versions

For all methods - infrared, convection and vapour phase. The upper limit 260°C/30 sec must be observed. The soldering temperature profile must have moderate temperature gradients.

RoHS Compliance

As of 1 July 2006 MEC has completed the conversion to RoHS compliance. For more info please see our homepage www.mec.dk

Temperature Limits:

Low temperature switch	115°C
High temperature switch	160°C
LEDs	85/100°C
Accessories	65/85/160°C

Packaging

unimec™ and multimec® switches are packed in rigid tubes of 50 pieces each.

A box contains 1.000 pcs.

The surface mount versions of multimec® switches with a height up to 12.5mm can also be delivered on tape/reel. Each reel contains 250/500 pcs.



MEC A/S
Industriparken 23
2750 Ballerup, Denmark
Phone: +45 44 97 33 66
E-mail: danmec@mec.dk

Please visit our website mec.dk
for news and product updates